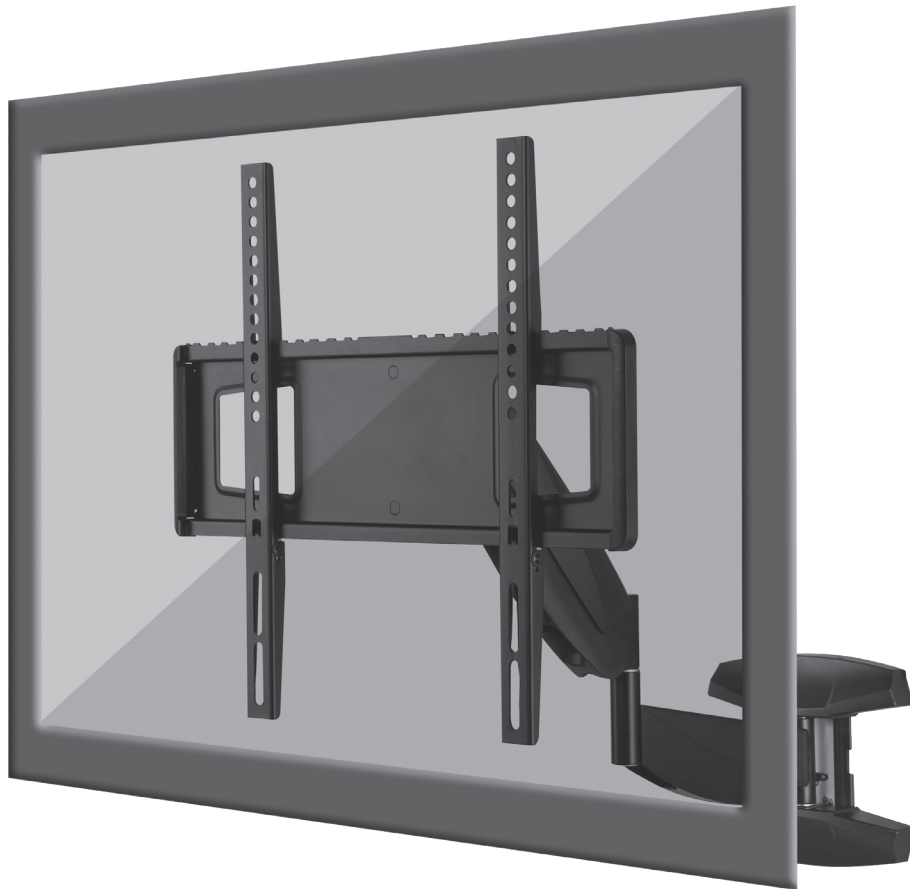


Sandstrøm^{AV}

Easy-glide Full-motion TV mount

Instruction Manual
SFMGM18



- 2 people are required to install the Wall Mount and to lift the TV onto the Mount.

Thank you for purchasing your new product.

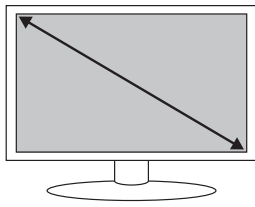
Please follow this quick start guide for a successful first time set up.

Read all the safety instructions carefully before use and keep the quick start guide for future reference.



Scan to watch an assembly video

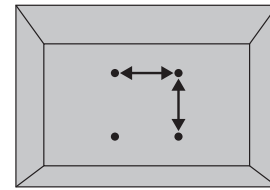
Safety



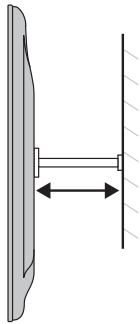
TV SIZE
32" - 55"



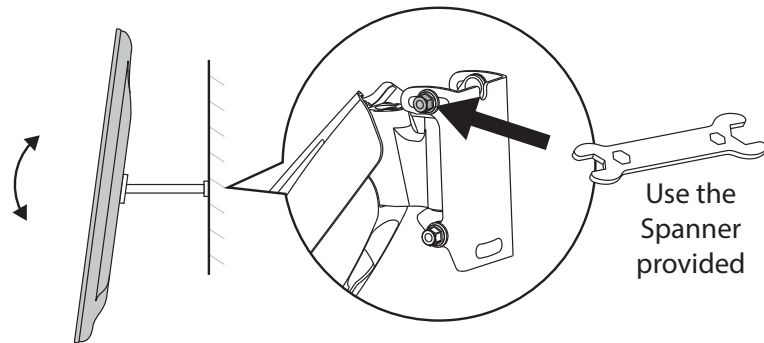
TV LOAD
6 - 20 kg



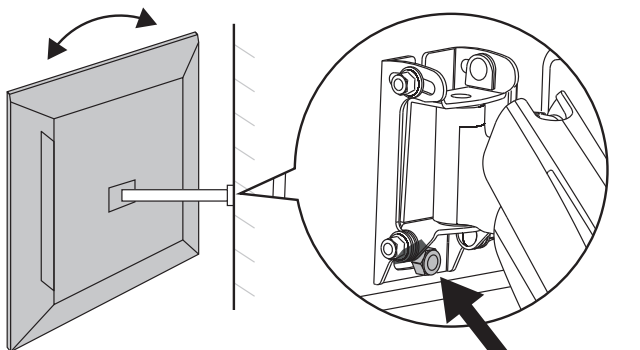
VESA COMPLIANCE
100 x 100 – 400 x 400 mm



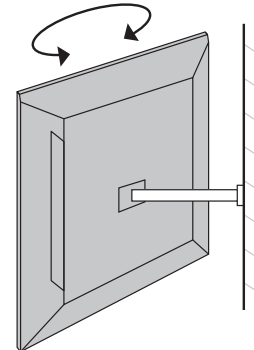
DISTANCE TO WALL
73 - 565 mm



TILT ANGLE
-5° ~ +10°



ROTATE ANGLE
-5° ~ +5°



SWIVEL ANGLE
-90° ~ +90°






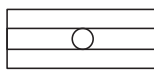


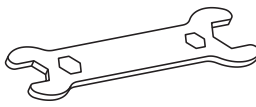
WARNING! READ THE FOLLOWING BEFORE STARTING INSTALLATION


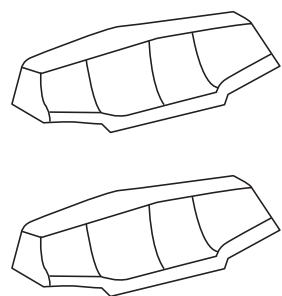
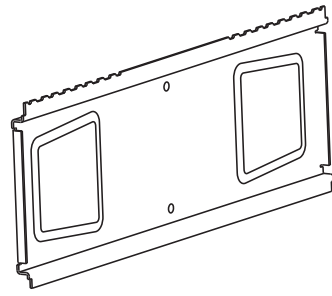

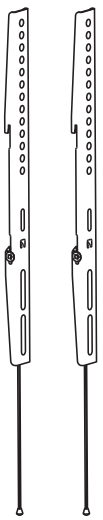
- Assembly is required. Installation must be carried out by qualified personnel only. Incorrect assembly can result in severe personal injury and property damage.
- The supplied TV bracket is only for use on vertical walls constructed from solid brick, solid concrete, solid wood and solid wooden columns.
- It is the installers' responsibility to verify that the wall will safely support the total load of the TV and the TV bracket. Never exceed the designated maximum TV load.
- Parts are heavy; take care when handling. For some steps, 2 people are required for installation.
- Check the TV bracket frequently to ensure that it is safe and secure. Additional tools (not included) are required for the installation. Do not over-tighten screws.
- Keep this instruction manual for future reference.

Unpacking the TV Mount

Remove all packaging from the TV Mount. Retain the packaging. If you dispose of it please do so according to local regulations.

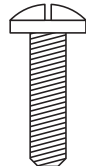
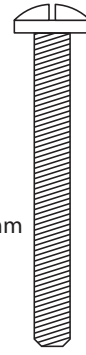
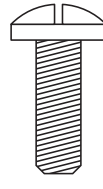

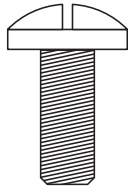
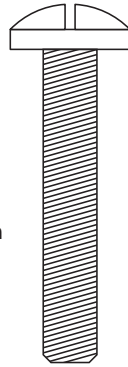
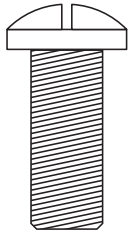
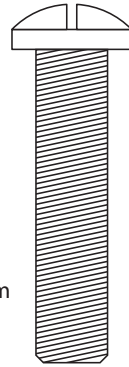
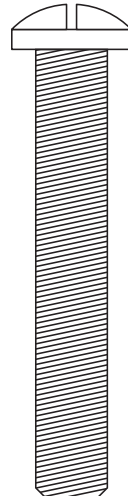
The following items are included:

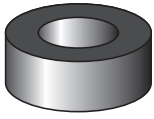
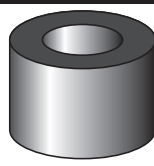
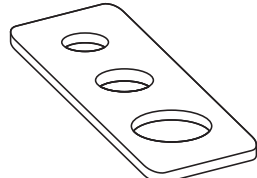
A1	A2	A3	A4	A5	A6	A7
						
Wall Mount Screws x 4	Wall Plugs x 4	Wall Mount Washer x 4	Self adhesive spirit level x 1	Soft Washer x 4	Back plate Nuts x 2	Spanner x 1

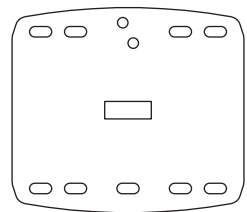
A8	A9	A10	A11	A12
				
Allen Key x 1	Plastic covers	Back Plate	Back Plate edges	TV Mounts

Only 4 of the vesa mount screws will be required, check your TVs instruction manual for the correct size (M5, M6 or M8).

Vesa Mount Screws, Spacers & Washers

B1	B2	B3	B4	B5	B6	B7	B8	B9
								
Type - M4 Size - 4 x 15mm	Type - M4 Size - 4 x 35mm	Type - M5 Size - 4 x 15mm	Type - M5 Size - 4 x 30mm	Type - M6 Size - 4 x 15mm	Type - M6 Size - 4 x 35mm	Type - M8 Size - 4 x 20mm	Type - M8 Size - 4 x 35mm	Type - M8 Size - 4 x 50mm

B10	B11	B12
		
Type - M6 / M8 Spacer Size - 4 x 5mm	Type - M6 / M8 Spacer Size - 8 x 10mm	M4 / M5 / M6 / M8 Washer x 4

B12

Card template x 1


Installation

First decide where you are wanting to mount your TV, remember the TV mount is fully adjustable. Also think which type of wall the TV mount is going to be attached to. If its a stud wall then you'll have to position the bracket on the studs, so this may also influence where the TV mount can be positioned.

Tools Required

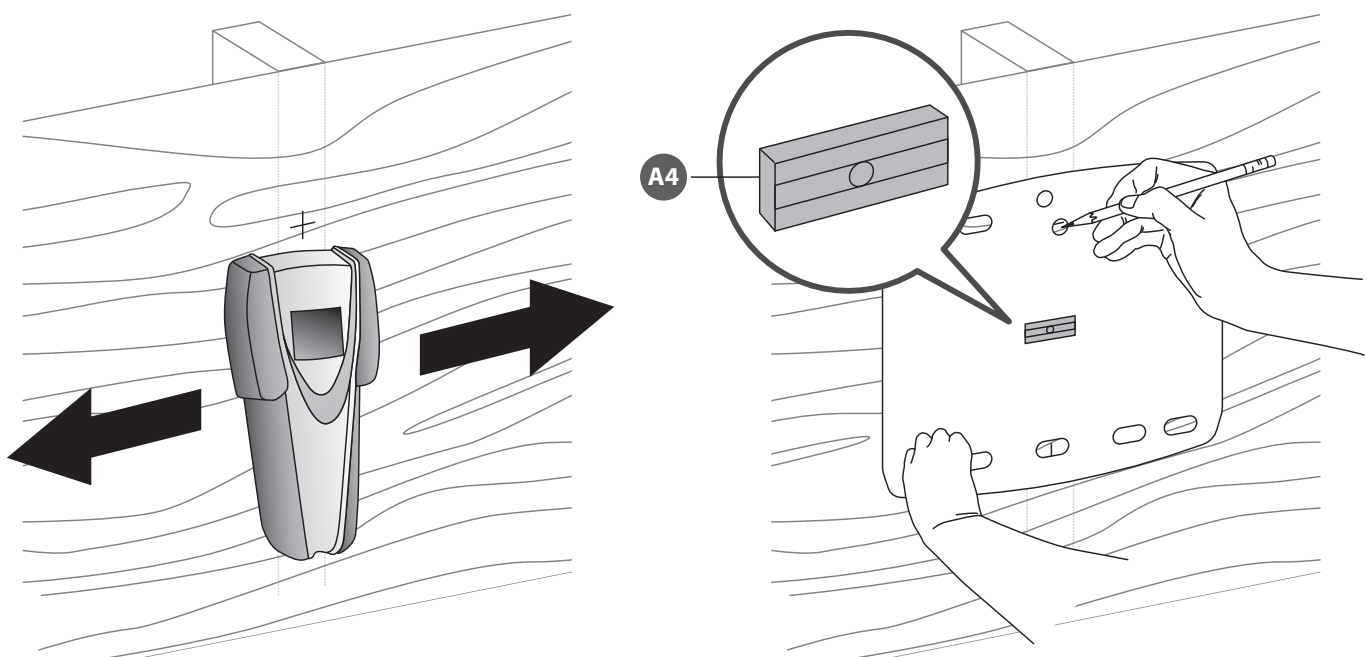
You will need the following tools to install your TV mount. Tools are not supplied



 • 2 people are required to install the Wall Mount and to lift the TV onto the Mount.

Locating the Wall Mount

You will need the following tools to install your TV mount. Tools are not supplied



1. For mounting on a stud wall, first use a stud/multi detector and mark where the studs are.
2. Then stick the spirit level to the card template. Hold the card template against the wall and mark the positions of the drill holes. Make sure they are on the studs.
3. For a masonry walls use the stud/multi detector to check for pipes or cables then use the card template to mark the location of the drill holes.

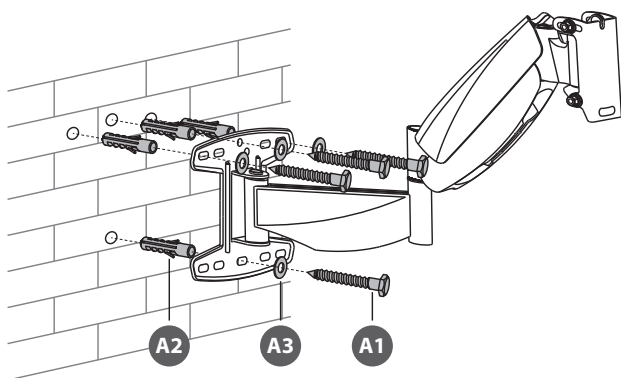
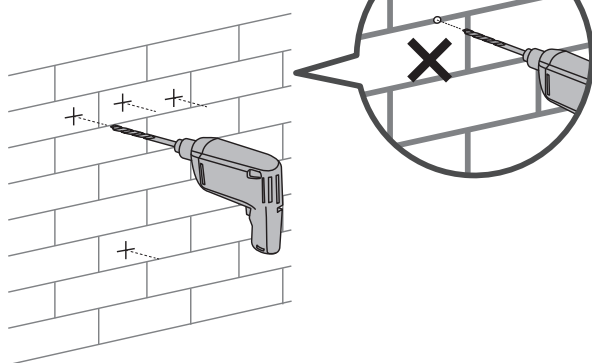
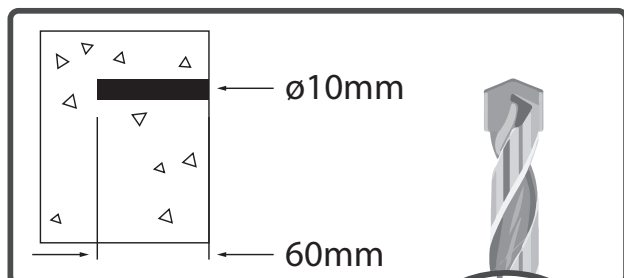
Fixing the Wall Mount to the wall

For mounting to a stud wall you will need a \varnothing 4.5mm wood drill bit, or for masonry walls you will need a \varnothing 10mm masonry drill bit.



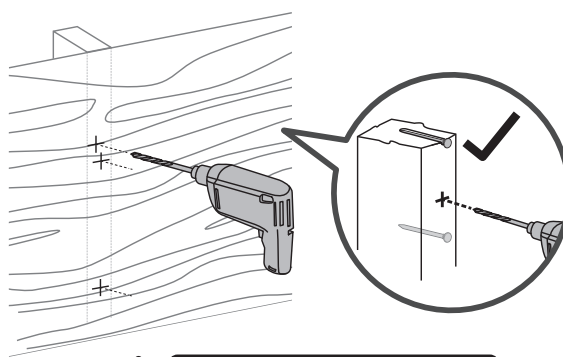
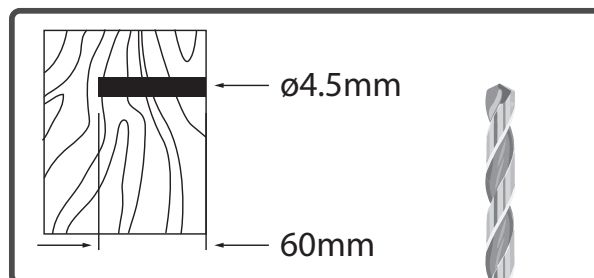
- Parts are heavy; 2 people are required for installation.

Masonry wall

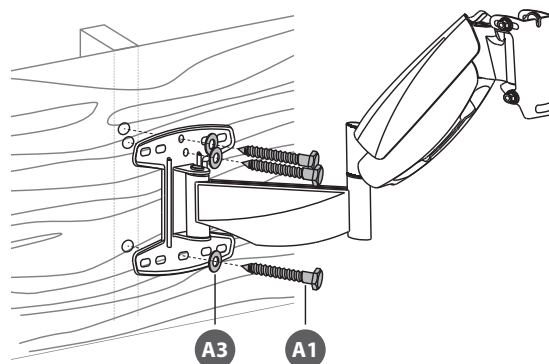


1. Using a \varnothing 10mm masonry drill bit, drill 4 holes to a depth of 60mm. Make sure you don't drill into the cement between the bricks.
2. Insert a wall plug into each hole.
3. 2 people are required for the next step, one to hold the mount against the wall and one to insert the screws.
4. Slide a washer (A3) onto a screw (A1) then use a Socket Set (not supplied) to screw the screw into the wall. Repeat for all 4 screws.

Stud wall

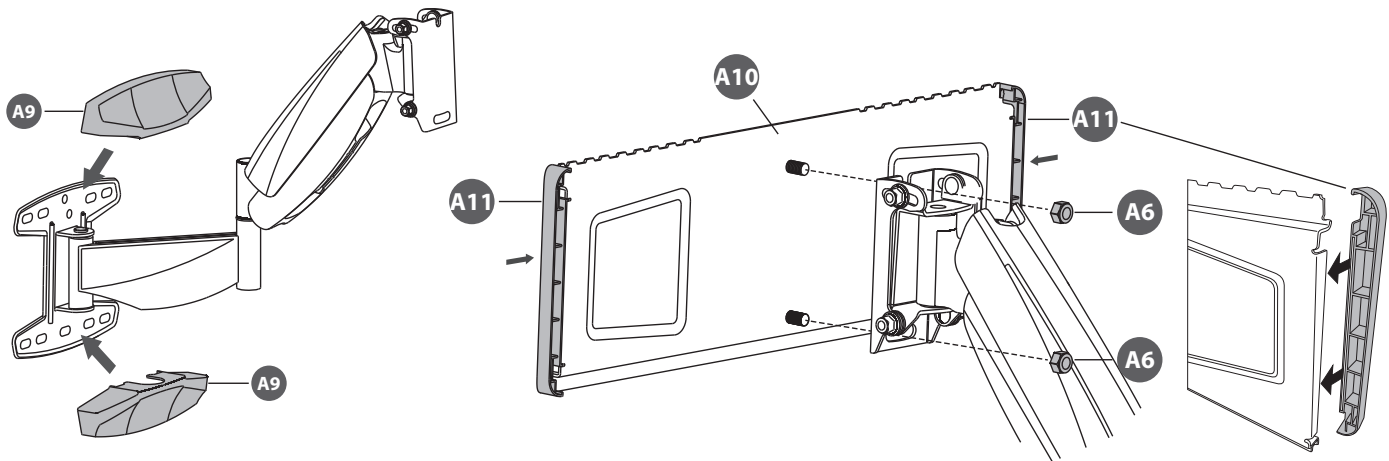


- ! Ensure mounting screws are in the centre of the timber stud.



1. Using a \varnothing 4.5mm wood drill bit, drill 3 holes to a depth of 60mm. Make sure the holds are in the centre of each stud.
2. 2 people are required for the next step, one to hold the mount against the wall and one to insert the screws.
3. Slide a washer (A3) onto a screw (A1) then use a Socket Set (not supplied) to screw the screw into the wall. Repeat for all 3 screws.

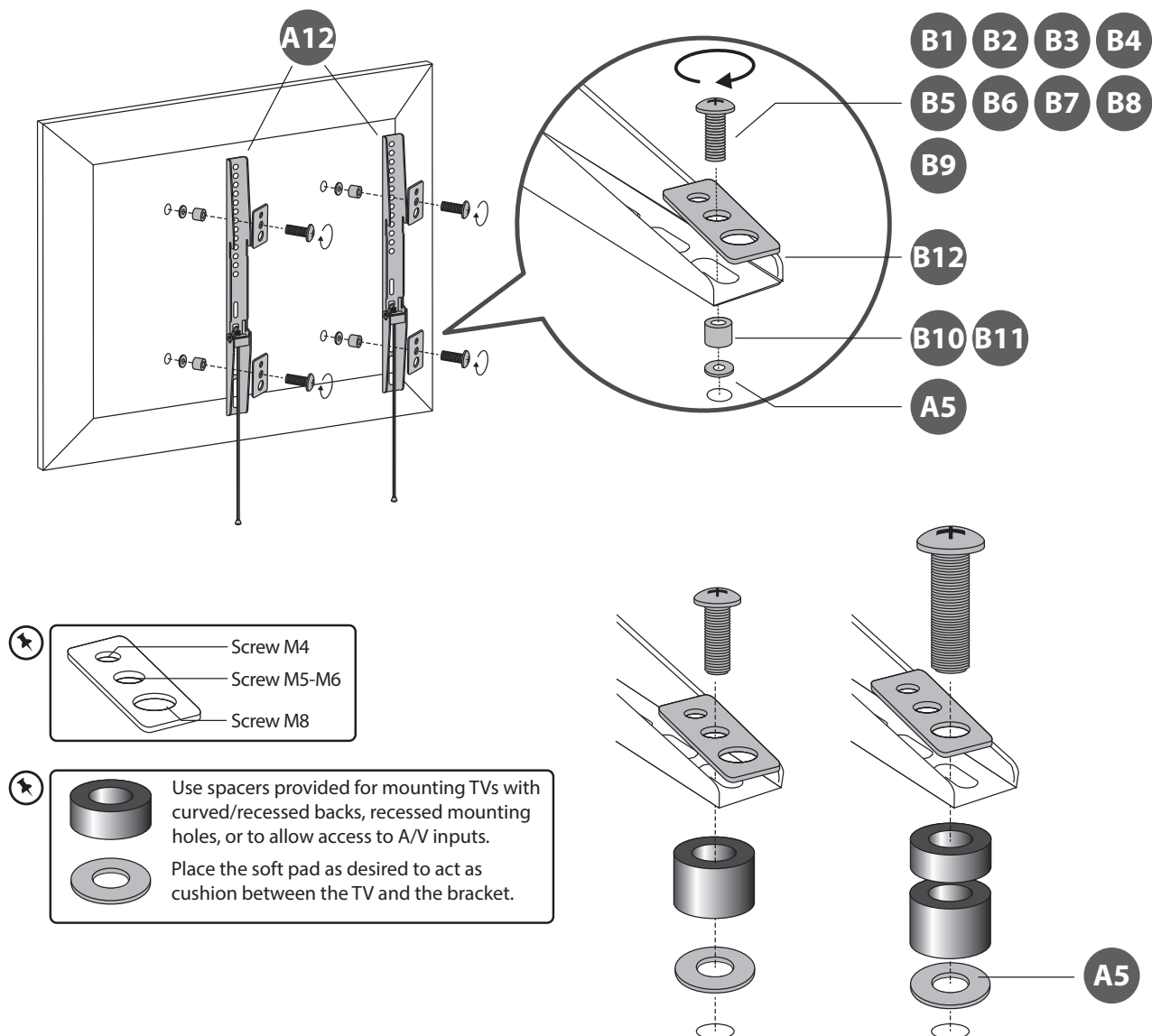
Fitting the Back Plate and Covers



1. Slide the plastic covers (A9) over the wall mount and screw the cable management clip to the front of the mount.
2. Attach the back plate (A10) to the mount using 2 nuts (A6) and tighten the nuts.
3. Fit the back plate edges (A11).

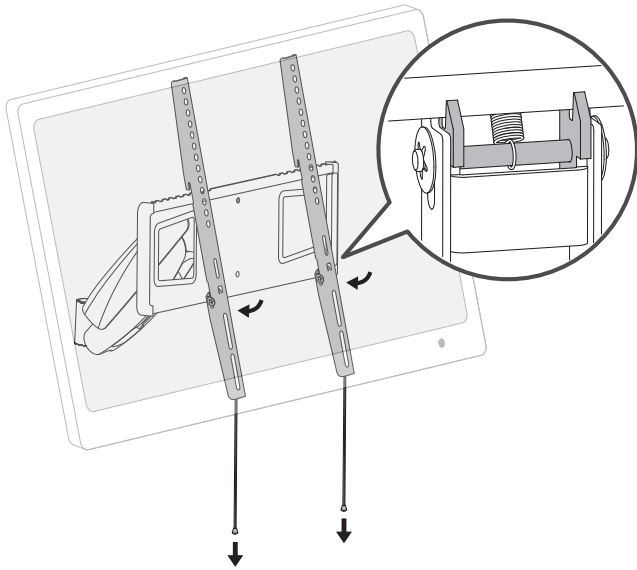
Fitting the TV Mounts to the Back of the TV

Consult your TV's instruction manual to find out which vesa mount screw size you should use M4, M5, M6 or M8. You will only need to use 4 of the supplied screws. If the back of your TV is uneven you may need to use some spacers when attaching the TV Mounts to the TV.



Attaching the TV to the Wall Mount

You can position the TV in numerous positions along the back plate. This help you choose the position you prefer.

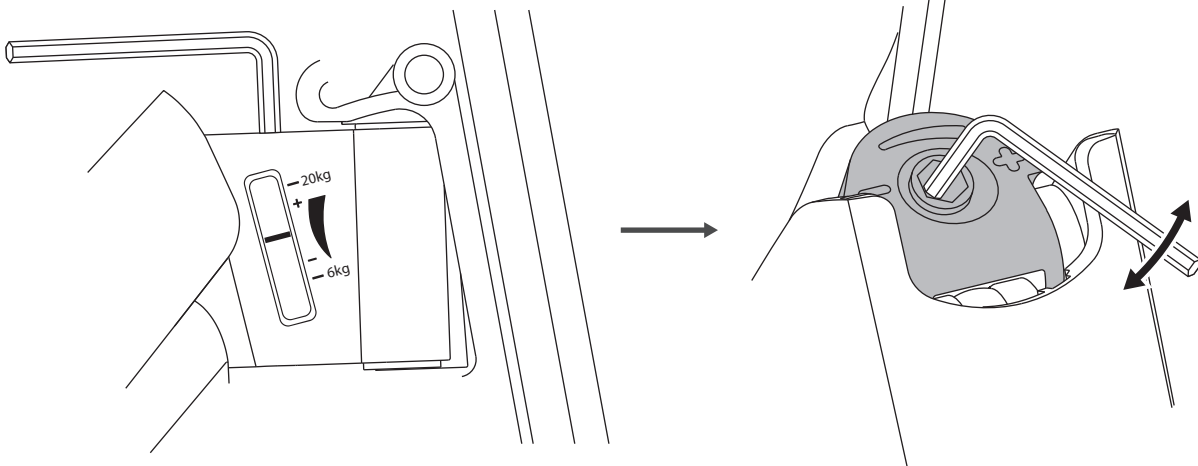


- 2 people are required to lift the TV onto the Mount.

1. Hook the TV mounts onto the top of the back plate then rotate the TV to clip in at the bottom. You may need to put on the release strings to allow it to click into position.

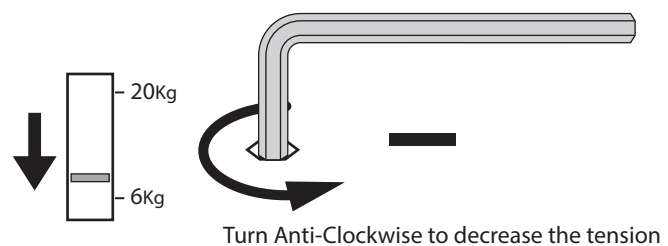
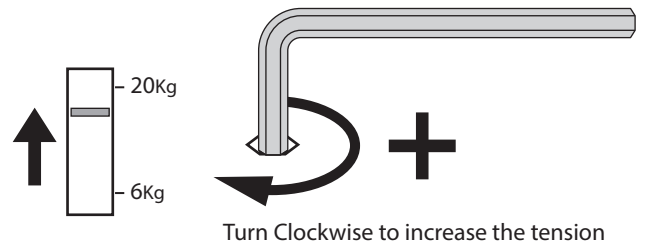
Adjusting the Tension of the Wall Mount

Your TV must be attached to the wall mount before you try to adjust the tension. The tension of the spring in the wall mount will need to be adjusted so that you can freely adjust the height of your TV without it springing up or sagging down. Only use the allen key (A8) to adjust the tension.



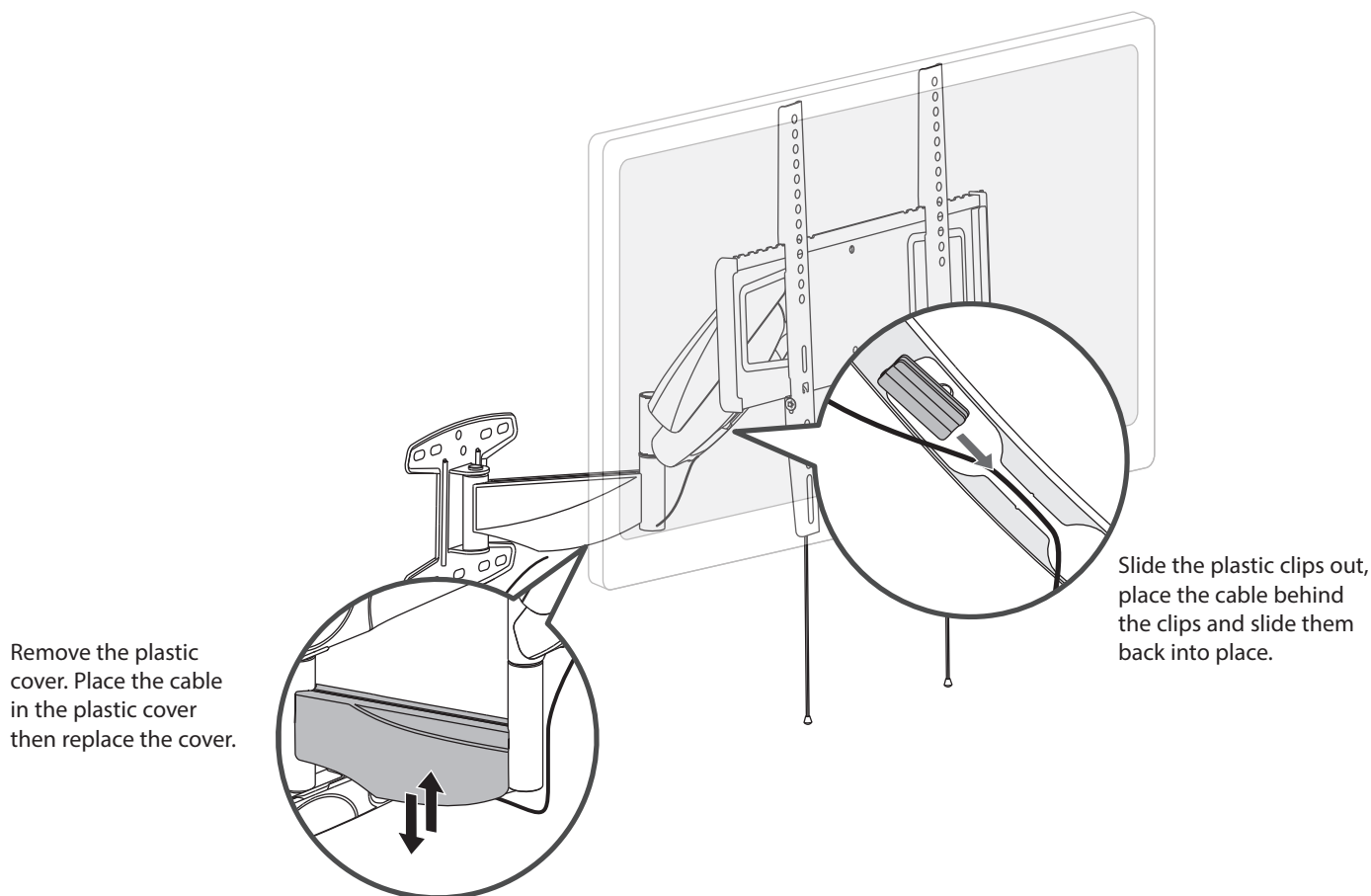
- Only use the supplied allen key to adjust the tension.

- If your TV is heavy and sagging down under its own weight. Use the supplied allen key and turn the tension adjustment screw clockwise to increase the tension of the adjustable mount arm.
- If your TV is light and springing up on its own. Use the supplied allen key and turn the tension adjustment screw anti-clockwise to decrease the tension of the adjustable mount arm.
- Once fully adjusted you should be able to easily position the TV at your desired height and it will stay in that position.



Cable Management

Your TV Mount has a cable management system to keep your TV cables neat.



All the support you need.

Currys.co.uk

Whether it's a tech emergency or you need plain good advice, we're always on hand to help, call (UK) 0344 5611234 or (Ireland) 1 890 818 575.

Partmaster
CO.UK

Visit Partmaster.co.uk today for the easiest way to buy electrical spares and accessories. With over 1 million spares and accessories available we can deliver direct to your door the very next day.

Visit www.partmaster.co.uk or call 0344 800 3456 (UK customers only). Calls charged at National Rate.

This Mount comes with a 3-year guarantee. If the product fails whilst in use for its intended purpose, please return it, along with your receipt, for a full refund or replacement. Please follow the instruction manual carefully when installing this device.

DSG Retail Ltd. (co. no. 504877)
1 Portal Way, London, W3 6RS, UK
EU Representative
DSG Retail Ireland Ltd (259460)
3rd Floor Office Suite
Omni Park SC, Santry, Dublin 9, Republic of Ireland

IB-SFMGM18-200317V4