

Unpacking

Remove all items from the packaging. Retain the packaging. If you dispose of it please do so according to local regulations.

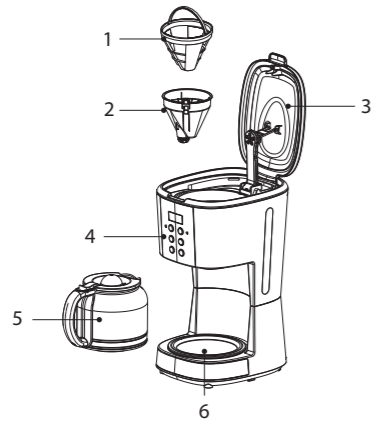
The following items are included: main unit, jug, funnel, filter and instruction manual.



If items are missing, or damaged please contact Partmaster (UK only). Tel: 0344 800 3456 for assistance.

Product Overview

1. Filter
2. Funnel
3. Top Lid
4. Control Panel
5. Jug
6. Warming Plate



First Time Use

- Fill the tank with clean water up to the maximum level inside the tank. Follow the steps in the section "Manual Operation" (without adding ground coffee) once or twice, then discard the hot water.
- Clean the jug, filter and funnel thoroughly with warm water. You may now use your coffee maker.

Jug Use and Care

The jug may break if the following instructions are not followed:

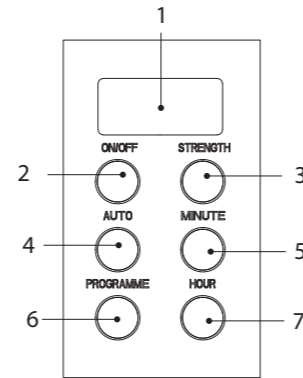
- Do not set a hot jug on a wet or cold surface.
- Do not use a cracked jug or a jug with a loose or weakened handle.
- Do not clean the jug with cleaners, steel wool pads or other abrasive materials.
- Discard the jug immediately if it has boiled dry.
- Avoid sharp blows, scratches or rough handling.



To reduce the risk of fire or electrical shock, do not remove any service covers. There are no user serviceable parts inside. Repairs should be done by qualified personnel only.

Control Panel

1. Display Window
2. ON/OFF Button
Press repeatedly to select between ON and OFF mode.
3. STRENGTH Button
Press for a stronger coffee brew, the brewing time will be longer.
4. AUTO Button
Press to activate automatic function.
5. MINUTE Button
Press to set minute digit.
6. PROGRAMME Button
Press to set timer.
7. HOUR Button
Press to set hour digit.



Automatic Operation



If using the Automatic function, first ensure the unit's clock has been set correctly.

1. After plugging in, press the **HOUR** and **MINUTE** button to set the clock.
2. To set automatic start time, press the **PROGRAMME** button. Set the automatic start time by pressing the **HOUR** and **MINUTE** button. Press the **PROGRAMME** button to confirm. The display will show the time.
3. After setting the automatic start time, prepare coffee by following the section "**Manual Operation**" steps 1-4.
4. Press the **AUTO** button to activate automatic brewing time, the green light will illuminate. To cancel the automatic start time, press the **ON/OFF** button.
5. When the brewing cycle is complete, a beep sound will be heard. Follow the section "**Manual Operation**" steps 6-7.



Once the unit is unplugged, all the preset **clock** and **timer** will be cleared.

Manual Operation

1. Open the top lid of the coffee maker and fill with the correct amount of water. The water level should not exceed the maximum level indicated.
2. Place the filter in the funnel and then place the funnel into the funnel support of the coffee maker, making sure it is assembled correctly.
3. Add ground coffee into the filter. Usually a cup of coffee needs a level spoonful of ground coffee, but you may adjust according to your taste.
4. Place the jug on the warming plate horizontally.
5. Press the **ON/OFF** button to select **ON** mode. Red light will show. The coffee maker has started brewing coffee.
6. When the brewing cycle is complete, a beep sound will be heard. Press the **ON/OFF** button to set the unit to **OFF** mode. You can remove the jug when brewing is finished (after the coffee stops dripping into the jug).



- You can remove the jug, pour and serve at any time once the coffee is made. But as the water is accumulated in the funnel, it may overflow if the jug is not replaced shortly.
- Do not open the top lid while the coffee maker is brewing.



The amount of coffee you get will be less than the water you have put in the tank, as some water is absorbed by the ground coffee.

7. The coffee maker will keep your coffee warm for about 30 minutes, then automatically shut off. Always turn the coffee maker off and unplug when the coffee maker is not in use.



- Keep the lid of the jug closed when pouring.
- The brewed coffee in the jug and the grounds in the filter are very hot. Handle with care to avoid scalding.

Cleaning and Maintenance



Unplug the appliance before cleaning. To protect against electrical shock, do not immerse the mains cable, mains plug or the appliance in water or liquids. After each use, always make sure the mains plug is first removed from the mains socket.

- Clean the filter, funnel, jug and jug lid after each use in hot, soapy water. Never use a dishwasher.
- Wipe the appliance's exterior surface and warming plate with a soft, damp cloth to remove stains. Do not use strong detergents or abrasive cleaners.
- Water droplets may build up in the area above the filter and drip onto the product base during brewing. To control the dripping, wipe off the area with a clean, dry cloth after use.

Cleaning Mineral Deposits

To keep the coffee maker operating efficiently, regularly clean mineral deposits left by the water. The amount of mineral deposit depends on water quality in your area and the frequency of use.

Fill the jug with one part white vinegar and three parts cold water. Pour only the water and vinegar mixture into the tank. Heat the water-vinegar solution as per steps 1-6 in the section "**Manual Operation**". Repeat until no yellow liquid comes out. Pour away the mixture. Clean the funnel, filter, jug and jug lid with hot soapy water until no vinegar is left.

Hints and Tips

Issue	Possible Cause/Solution
Unit doesn't light up.	Check that you have plugged your coffee maker into the mains socket.
Coffee doesn't brew.	Funnel is not properly inserted, or water tank is empty/not enough water. Maybe a power outage.
Only water is brewed.	No coffee in the filter, check that the desired amount of coffee is added.
Coffee tastes bad.	Maybe the coffee type is not recommended for automatic drip coffee makers. The ground coffee-to-water ratio was unbalanced. The coffee maker needs to be cleaned.
Grounds appear in the coffee.	Filter is not properly seated in the funnel or the filter has collapsed.

LOGIK

Black Filter Coffee Maker

Instruction Manual

L14DCB19



Thank you

for purchasing your new product. We recommend that you spend some time reading this instruction manual in order that you fully understand all the operational features it offers. You will also find some hints and tips to help you resolve any issues.

Read all the safety instructions carefully before use and keep this instruction manual for future reference.

Safety Warnings

For your continued safety and to reduce the risk of injury or electric shock, please follow all the safety precautions listed below.



Caution, hot surface
Surfaces are liable to get hot during use.

- Read all the instructions carefully before using this appliance and keep them for future reference.
- Retain the manual. If you pass the appliance on to a third party, make sure to include this manual.
- Make sure that your outlet voltage corresponds to the voltage stated on the rating label of the appliance.
- Unplug the appliance from the mains socket when not in use, or before cleaning any part of the appliance.
- Do not operate any appliance with a damaged mains cable or mains plug, or in an abnormal state.
- Do not use an extension cable, it may result in fire, electrical shock and/or personal injuries.
- To disconnect, remove the mains plug from the mains socket. Never pull the mains cable to remove the mains plug from the mains socket.
- Do not immerse the appliance, mains cable or mains plug in water or other liquids. Make sure not to spill on any connectors.
- Be careful not to get scalded by the steam.
- Use handles or oven gloves. Accessible surfaces may get hot.
- Do not touch the appliance whilst in use as there are hot surfaces on this appliance. The heating

element surface is subject to residual heat after use.

- Do not open the water tank cover while the coffee maker is brewing.
- Never switch your appliance on without water in it.
- Stand the appliance on a stable flat surface before use.
- This appliance is intended for household use only. Do not use outdoors.
- This appliance can be used by children aged from 8 years and above and persons with reduced physical, sensory or mental capabilities or lack of experience and knowledge if they have been given supervision or instruction concerning use of the appliance in a safe way and understand the hazards involved. Children shall not play with the appliance. Cleaning and user maintenance shall not be made by children unless they are older than 8 and supervised. Keep the appliance and its cord out of reach of children aged less than 8 years.
- Children should be supervised to ensure that they do not play with the appliance.
- If the mains cable is damaged it must be replaced by the manufacturer, its service agent, or similarly qualified persons in order to avoid a hazard.
- Do not let the mains cable overhang the edge of the work surface or allow it to touch hot surfaces or sources of heat or flame.
- This appliance is intended for indoor household use and similar applications such as:
 - farm houses and by clients in hotels, motels and other residential type environment;
 - bed and breakfast type environment;
 - catering and similar non-retail applications.
- Make sure the unit is earthed properly during

use. Use of any extension sockets must have an earth connection. If in doubt, contact a qualified technician.

- Any misuse may result to potential injury.

Specifications

Capacity	14 cups
Product Rating	220-240V AC, 50Hz, 900 W

Features and specifications are subject to change without prior notice.

Currys.co.uk

All the support you need.

Whether it's a tech emergency or you need plain good advice, we're always on hand to help.
UK: 0344 561 1234
IRE: 1890818 575

Partmaster
CO.UK

Visit Partmaster.co.uk today for the easiest way to buy electrical spares and accessories. With over 1 million spares and accessories available we can deliver direct to

your door the very next day. Visit www.partmaster.co.uk or call 0344 800 3456 (UK customers only). Calls charged at National Rate.



The symbol on the product or its packaging indicates that this product must not be disposed of with your other household waste. Instead, it is your responsibility to dispose of your waste equipment by handing it over to a designated collection point for the recycling of waste electrical and electronic equipment. The separate collection and recycling of your waste equipment at the time of disposal will help conserve natural resources and ensure that it is recycled in a manner that protects human health and the environment. For more information about where you can drop off your waste for recycling, please contact your local authority, or where you purchased your product.

Currys Group Limited (co. no. 504877)
1 Portal Way, London, W3 6RS, UK

EU Representative

Currys Ireland Limited (259460)
3rd Floor Office Suite,
Omni Park SC, Santry, Dublin 9, Republic of Ireland