

# KENWOOD

## Integrated Dishwasher KID60S17

installation / instructions manual



(Aesthetic door not included.)



# contents

<b>safety warnings</b> .....	<b>5</b>
<b>unpacking</b> .....	<b>8</b>
location .....	9
<b>product overview</b> .....	<b>16</b>
front view .....	16
rear view .....	16
upper basket.....	16
lower basket .....	16
cutlery basket .....	16
internal view .....	16
control panel & display window .....	17
<b>before operating</b> .....	<b>18</b>
opening the door .....	18
closing the door .....	18
items not suitable for use in the dishwasher .....	18
<b>adding detergent</b> .....	<b>19</b>
<b>adding rinse aid</b> .....	<b>20</b>
adjusting the rinse aid setting .....	20
<b>adding salt</b> .....	<b>21</b>
adjusting salt consumption .....	21
<b>loading the dishwasher</b> .....	<b>22</b>
before loading the dishwasher .....	22
upper basket.....	23
adjusting the upper basket .....	23
loading the upper basket.....	23
hinged cup rack .....	24
hinged spikes .....	24
lower basket .....	25
loading the lower basket.....	25
cutlery basket .....	25
loading the cutlery basket.....	25
<b>wash cycle table</b> .....	<b>26</b>
<b>using the dishwasher</b> .....	<b>27</b>
<b>changing the programme</b> .....	<b>27</b>
<b>at the end of the programme</b> .....	<b>27</b>
<b>switching the dishwasher off</b> .....	<b>28</b>
<b>unloading the dishwasher</b> .....	<b>28</b>
<b>delay start</b> .....	<b>28</b>

<b>half load</b> .....	<b>29</b>
<b>cleaning the dishwasher</b> .....	<b>29</b>
external care.....	29
the door and the door seal .....	29
the control panel.....	29
internal care.....	29
filtering system .....	30
spray arms.....	31
<b>frost precaution</b> .....	<b>32</b>
<b>moving the dishwasher</b> .....	<b>32</b>
<b>maintenance for a prolonged period of non-operation</b> .....	<b>32</b>
<b>hints and tips</b> .....	<b>33</b>
fault codes .....	33
technical problems .....	33
general problems.....	34
<b>disposal of the dishwasher</b> .....	<b>35</b>
<b>disposal of packing material</b> .....	<b>35</b>
<b>product fiche and specifications</b> .....	<b>36</b>

# safety warnings

## general use

- Switch off and unplug before fitting or removing tools/attachments, after use and before cleaning.
- Keep your fingers away from moving parts and fitted attachments.
- Never use a damaged machine.
- Keep the mains cable out of reach from children.
- Keep power unit, mains cable and plug away from water.
- Never exceed the maximum capacities.
- When using an attachment, read the safety instructions.
- Take care when lifting this appliance.
- This appliance can be used by children aged from 8 years and above and persons with reduced physical, sensory or mental capabilities or lack of experience and knowledge if they have been given supervision or instruction concerning use of the appliance in a safe way and understand the hazards involved. Children shall not play with the appliance. Cleaning and user maintenance shall not be made by children without supervision.
- Only use the appliance for its intended domestic use. The company responsible for this product, DSG Retail Limited, will not accept any liability if the appliance is subject to improper use, or failure to comply with these instructions.
- This appliance is intended to be used in households and similar places such as:
  - Staff kitchen areas in shops, offices and other work places.
  - By clients in motels, hotels and Bed & Breakfast establishments.
- For the dimensions and position, for supporting, fixing and installing the appliance see the 'Installation' section of this manual.

## WARNING!

- Improper connection of the equipment-earthing conductor could result in a risk of electric shock.
- The wires in the cord are coloured as follows:  
Green and Yellow = Earth,  
Blue = Neutral,  
Brown = Live.
- Check with a qualified electrician or service representative if you are in doubt whether the appliance is properly earthed or the plug does not fit correctly.
- Never modify the plug provided with the appliance.
- The mains plug must remain accessible to allow disconnection or an all pole switch must be incorporated in the fixed wiring in accordance with the wiring rules.

## proper use

- Do not sit or stand on the door or dish rack.
- Do not touch the heating element during or immediately after use.
- Do not operate your dishwasher unless all enclosure panels are properly in place. Open the door very carefully when there is a programme running as there is a risk of hot water spraying out of the appliance.
- Do not place any heavy objects on the open door. The appliance could tip over.
- When loading items to be washed (refer to the 'Loading the Dishwasher section of this manual):
  1. Locate sharp items so that they will not damage the door seal;
  2. Warning: Knives and other utensils with sharp points must be loaded in the basket with the points downwards or placed horizontally.
- Do not allow plastic items to come into contact with the heating element.
- Check that the detergent receptacle is empty after completion of the wash cycle.
- Do not wash plastic items unless they are marked dishwasher safe or equivalent.
- Use only detergent and rinse aids designed for an automatic dishwasher.
- Other means for disconnection from the mains power supply must be incorporated in the fixed wiring with at least 3mm contact separation in all poles.
- Keep children away from detergents and rinse aids. These may cause chemical burns in the mouth, throat and eyes or asphyxiation.
- Keep children away from the dishwasher when the door is open.
- The door should not be left in the open position since this could present a tripping hazard.
- For energy saving, always remember to switch the dishwasher off when you have finished using it. The dishwasher should not be left unattended when in use.
- If the mains cable is damaged, it must be replaced by the manufacturer or its service agent in order to avoid a hazard.
- Remove the door to the washing compartment when removing an old dishwasher from service or discarding it.
- During installation, the mains cable must not be excessively or dangerously bent or flattened.
- Do not tamper with controls.
- The appliance is to be connected to the water mains using new hose sets.
- The maximum number of place settings to be washed is 12.
- The maximum permissible inlet water pressure is 1Mpa, and the minimum permissible inlet water pressure is 0.04Mpa.
- Product dimensions - 820 mm - 870 mm (H) x 596 mm (W) x 550 mm (D)
- Aperture dimensions - 820 mm - 870 mm (H) x 600 mm (W) x 620 mm (D)
- For supporting and fixing the appliance see the Installation section.



## earthing instructions

### **WARNING: THIS APPLIANCE MUST BE EARTHED.**

- This appliance is equipped with a mains cable having an equipment-earthing conductor and an earthing plug.
- The plug must be plugged into an appropriate mains socket that is installed and earthed in accordance with local standards and requirements.

## installation

**Thank you** for purchasing your new Kenwood Dishwasher.

These operating instructions will help you use it properly and safely.

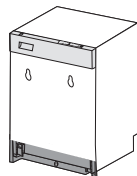
We recommend that you spend some time reading this installation/instruction manual in order that you fully understand all the operational features it offers.

Read all the safety instructions carefully before use and keep this installation/instruction manual for future reference.

## unpacking

Remove all packaging from the unit. Retain the packaging. If you dispose of it please do so according to local regulations.

The following items are included:



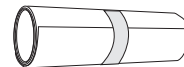
the main unit



cutlery basket



water supply hose X 1



condensation strip X 1



fitting s.iron for bench X 2



U-shape hose holder X 1



self-adhesive rubber spacer X 2



fitting screw for wood X 2



4x42.5 screws X 6



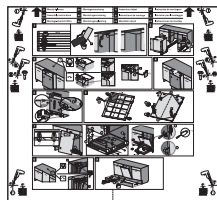
spring adj.mec hole cap X 4



4x15 screws X 2



self-adhesive rubber stopper X 2



door template x 1



instruction manual x 1



This product has been wet tested to ensure correct operation. As a result some water may remain inside the unit. This is normal and safe. Remove any water droplets from the exterior if necessary.



If items are missing or damaged please contact Partmaster (UK only).  
Tel: 0344 800 3456 for assistance.

\* All images are for reference only; please refer to your individual unit for actual item.



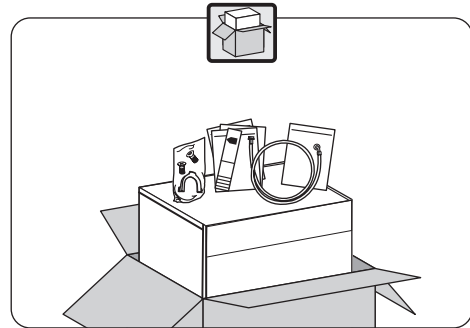
# installation

## location

When selecting a position for your dishwasher you should make sure the installation surface is flat and firm, and the room is well ventilated. Avoid locating your dishwasher near a heat source, eg. cooker, boiler or radiator. Extreme cold ambient temperatures may also cause the appliance to not perform properly. This dishwasher is not designed for use in a garage or outdoor installation.



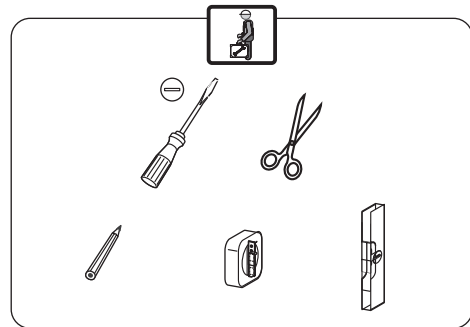
All parts removed must be saved to do the reinstallation in the future. Ensure the dishwasher is unplugged and empty. We recommend that 2 people handle the dishwasher during installation.



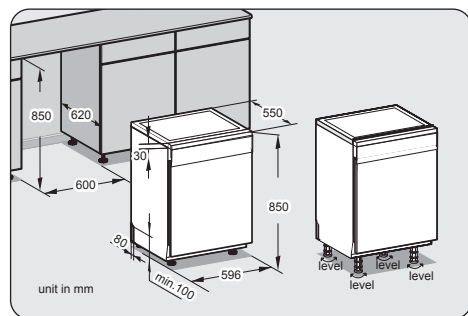
1. Please ensure the dishwasher is installed by a qualified technician. Refer to the tools required (not included).



The supplied door template contains installation information which will assist installation.



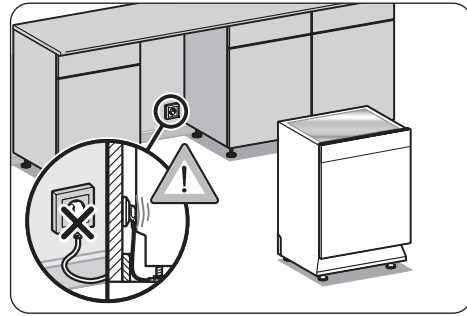
2. Ensure there is sufficient clearance on each side of the unit to allow slight sideways movement for servicing when required. Good levelling is essential for correct closure and sealing of the door. When the unit is correctly levelled, the door should not catch the inner liner on either side of the cabinet. The adjustable feet may be loosened or tightened in order to obtain the optimum levelling of the unit.



\* All images are for reference only; please refer to your individual unit for actual item.

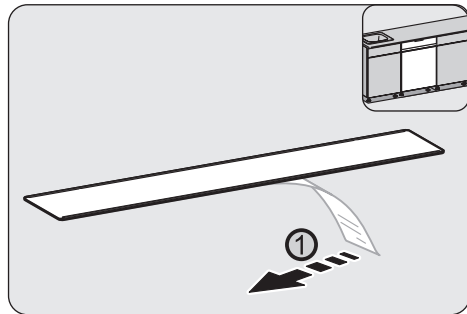
## installation

3. Do not connect the unit to the mains socket before installation. Ensure you are not installing the unit right in front of the mains socket. This is to avoid potential damage to the back of the unit.



4. The condensation strip must be fitted to the underside of the worktop above your dishwasher to help protect it against moisture. Its purpose is to protect your worktop's underside from steam rising from the dishwasher.

Remove the backing paper from the condensation strip.



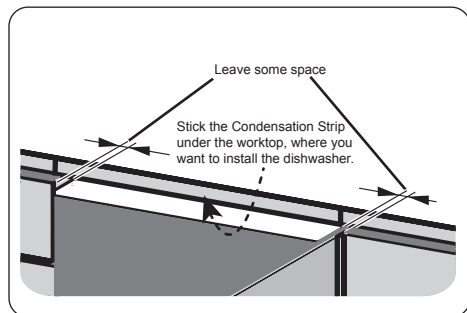
5. Stick the condensation strip to the underside of the worktop.



Ensure the surface is clean prior to sticking the condensation strip to the underside of the worktop.



Failure to attach the condensation strip could result in damage to the underside of your worktop!

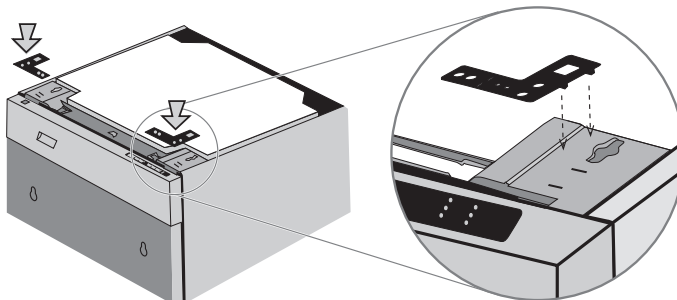


\* All images are for reference only; please refer to your individual unit for actual item.

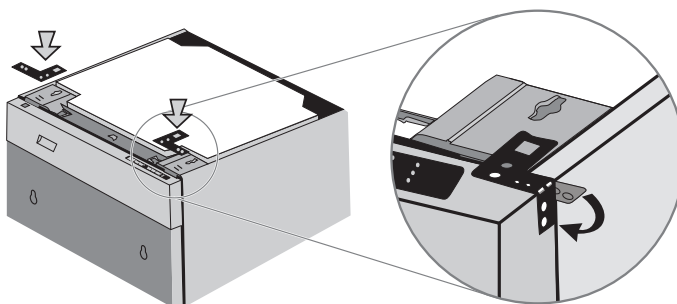
## installation

6. To secure the unit use the 2 brackets as shown. Note their positioning for the different types of worktops.

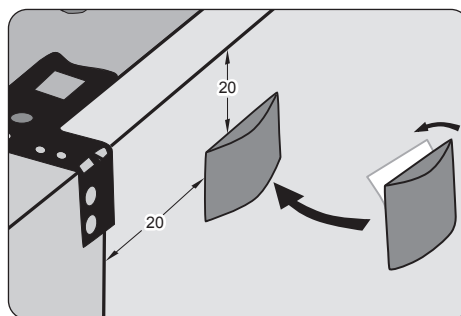
Wooden Worktop



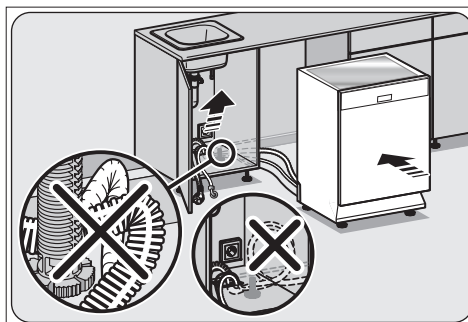
Synthetic/  
Ceramic Worktop



7. Remove the backing from the self-adhesive rubber spacer. Stick 1 x spacer to each side of the dishwasher.



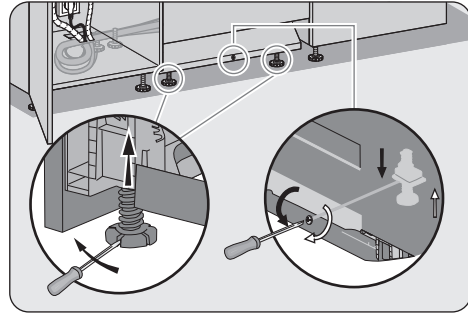
8. Position the dishwasher next to a water tap and a drain. Ensure the water inlet and drain hoses are not kinked or squashed. The unit must not stand on the mains cable.



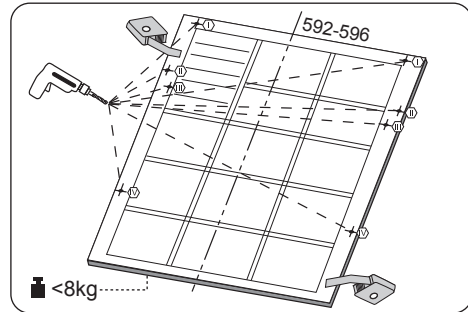
\* All images are for reference only; please refer to your individual unit for actual item.

## installation

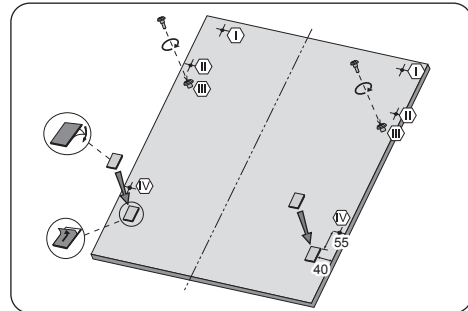
9. Adjust the adjustable feet to obtain the optimum levelling of the unit. The adjustment of the rear foot is via a centre screw at the front.



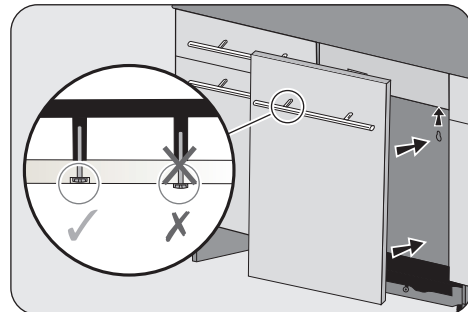
10. Tape the supplied door template to the aesthetic door. Ensure the aesthetic door weight is a minimum of 3kg and a maximum of 8kg. Make sure the top of the template is at the top of the door. Drill the required holes following the depth and diameter shown on the door template.



11. Screw the 2 fitting screws in position III. Remove the backing from the self-adhesive rubber stoppers. Stick the stoppers to the aesthetic door.



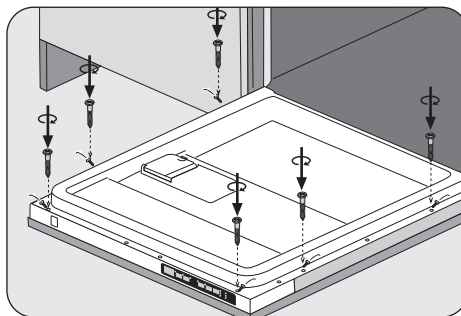
12. Tighten the screws that secure the handle so they are flush with, or beneath, the surface of aesthetic door.



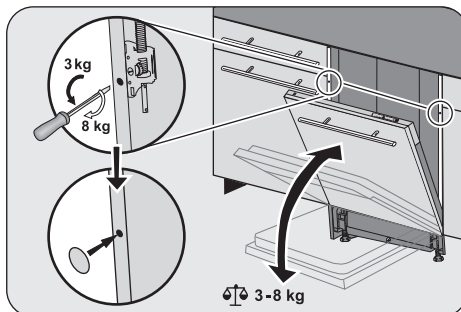
\* All images are for reference only; please refer to your individual unit for actual item.

## installation

13. Remove the 3 screws on each side of the door as shown and replace with the longer screws supplied. Tighten screws into front aesthetic door.

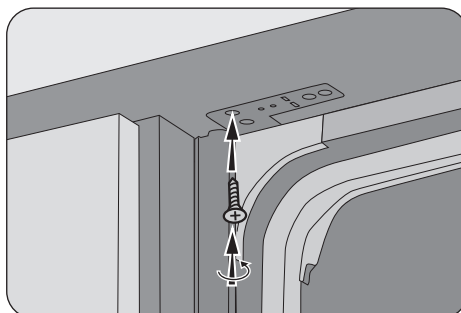


14. Adjust the bolts to loosen or tighten the tension of the unit's door.



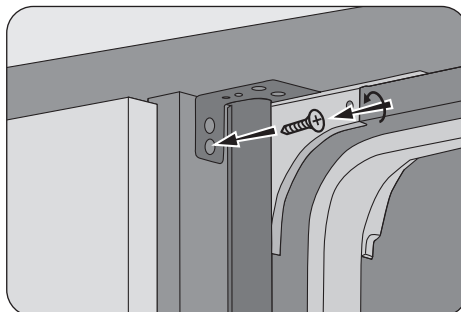
### 15. For Wooden Worktops

Tighten the screw into the top bracket to fix it to the wooden worktop.



### For Synthetic/Ceramic Worktops

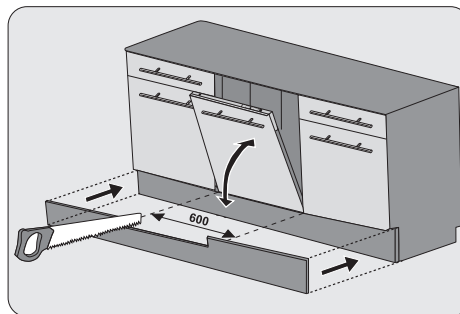
Tighten the screw into the side bracket to fix it to the synthetic/ceramic worktop.



\* All images are for reference only; please refer to your individual unit for actual item.

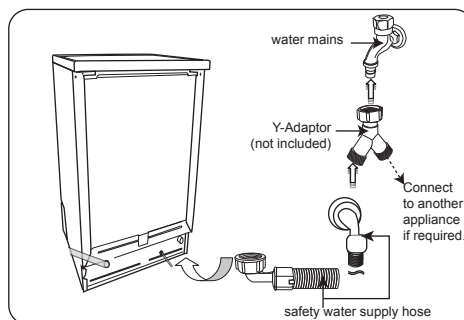
## installation

16. Cut out a 600 mm wide slot from the plinth so the unit door can fully open downwards. The depth of the cut out should be sufficient to allow the door to open fully and will depend on the thickness of the panel fitted to the door.



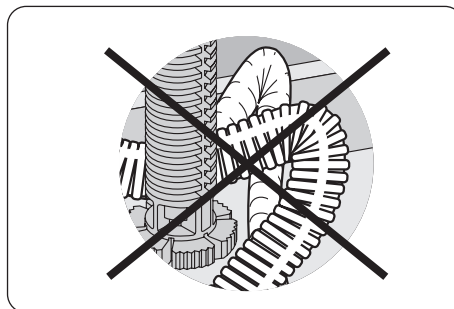
17. Make sure your plumbing is suitable for use with the dishwasher. If in doubt contact a qualified plumber. This unit **MUST BE** connected to **COLD WATER MAINS** using the new water supply hose. **OLD HOSE SETS MUST NOT BE RE-USED.** The water pressure from the water mains needs to be at a minimum of 0.04 MPa and a maximum of 1.00MPa.

- Connect one end of the water supply hose to your dishwasher, and then connect the other end of the hose to your water mains. Please ensure the black rubber seal is in place.
- After connecting the hose, turn on your water mains and check for leaks.
- Connect the dishwasher to the mains socket.



You may use a Y-adaptor (not included) for an additional water feed for another appliance, for example a washing machine. This is only applicable to the cold water mains. A Y-adaptor is available from most DIY stores.

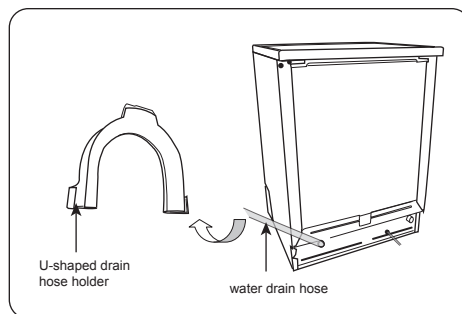
- Do not bend or kink your drain hose.



\* All images are for reference only; please refer to your individual unit for actual item.

## installation

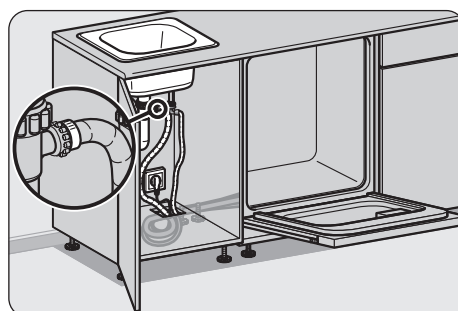
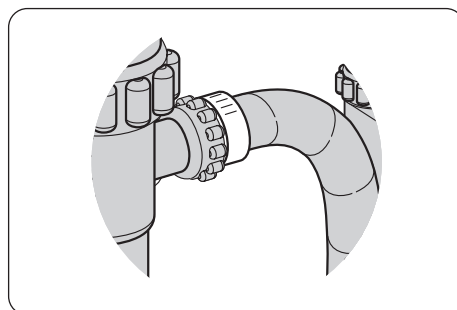
- You may use the U-shaped drain hose holder to secure your drain hose and to avoid kinking it.



- Secure the water drain hose to the waste pipe to avoid it coming off during the washing process.



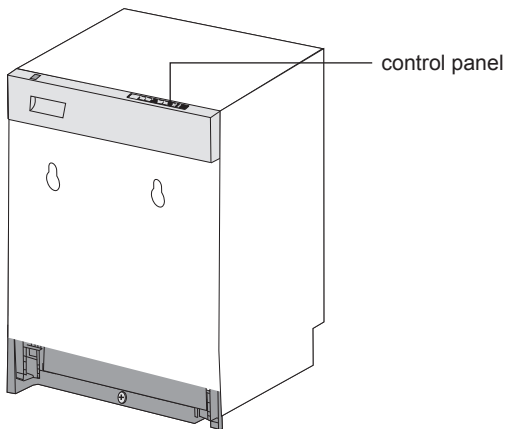
- The waste pipe must only be connected to the foul drains and not the surface water drainage system.
- The water drain hose should be placed between 40 cm and 100 cm from the floor level and must not be extended, otherwise the unit may not be able to expel the waste water properly.



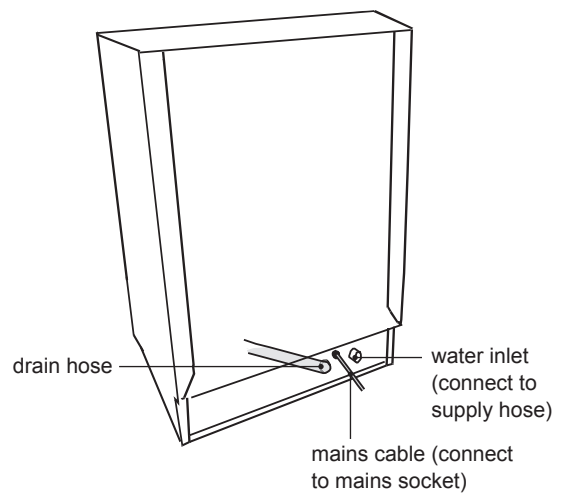
\* All images are for reference only; please refer to your individual unit for actual item.

# product overview

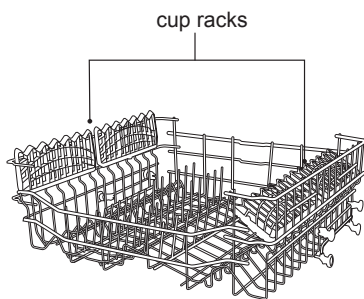
## front view



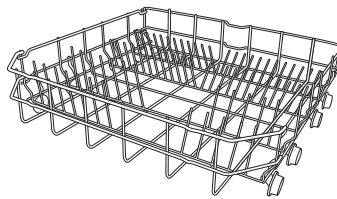
## rear view



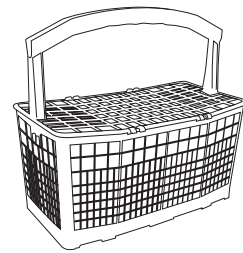
## upper basket



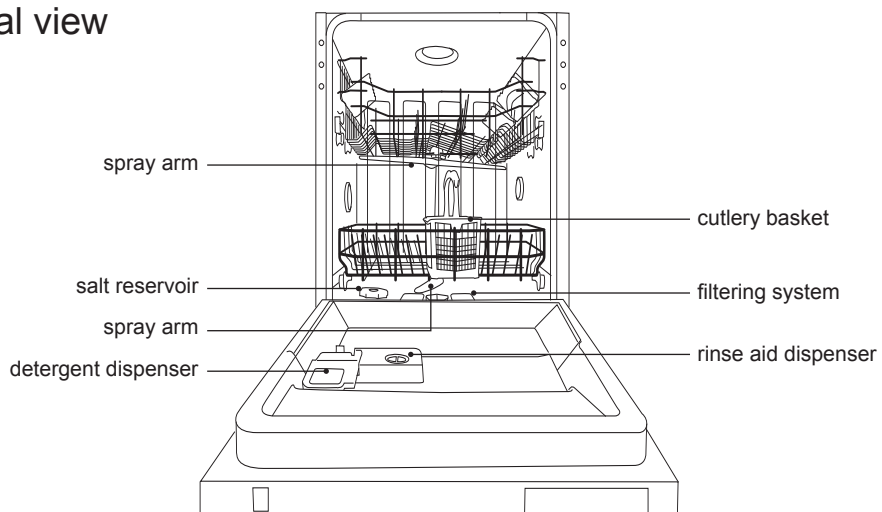
## lower basket



## cutlery basket



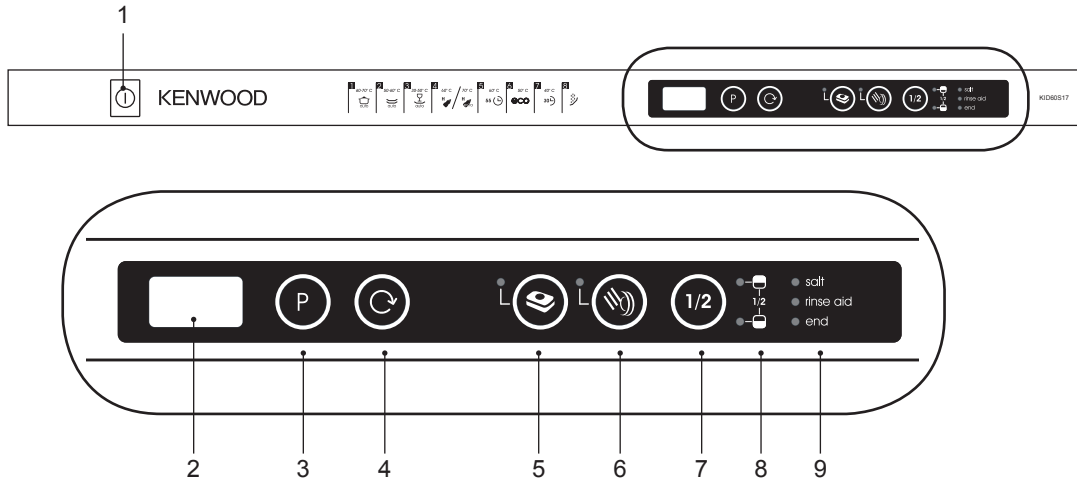
## internal view



16 \* All images are for reference only; please refer to your individual unit for actual item.



## control panel & display window



1. **ON/OFF button**
    - turns the dishwasher on and off.
    - the LED light illuminates when the dishwasher is on.
  2. **display window**
    - displays programme selected, programme time, delay start time and fault codes etc.
  3. **P programme button**
    - selects your required washing programme.
  4. **delay timer button**
    - delays the start of a preset washing programme by up to 19 hours.
    - each press of this button increases the delay start time by 1 hour intervals.
  5. **tablet detergent button (3 in 1 button)**
    - selects the 3 in 1 washing cycle when you use combined detergents that include salt and rinse aid.
  6. **prewash button**
    - selects an extra pre-wash washing cycle.
  7. **1/2 half load button**
    - Press to select the half load washing cycle.
    - Each press will cycle through the half load options.
  8. **half load indicator lights**
    - illuminate when a half load washing cycle has been selected.
  9. **salt low warning indicator light**
    - illuminates when there is not sufficient softening salt in the dishwasher.
- rinse aid low indicator light**
- illuminates when there is not sufficient rinse aid in the dishwasher.
- end of program indicator light**
- illuminates when the selected washing program is completed. The dishwasher also gives a buzzer sound for 5 times when the program is completed.

\* All images are for reference only; please refer to your individual unit for actual item.

# before operating

## opening the door

- Pull the door handle.
- If the door is opened during operation, first open the door slightly to avoid water spillage.



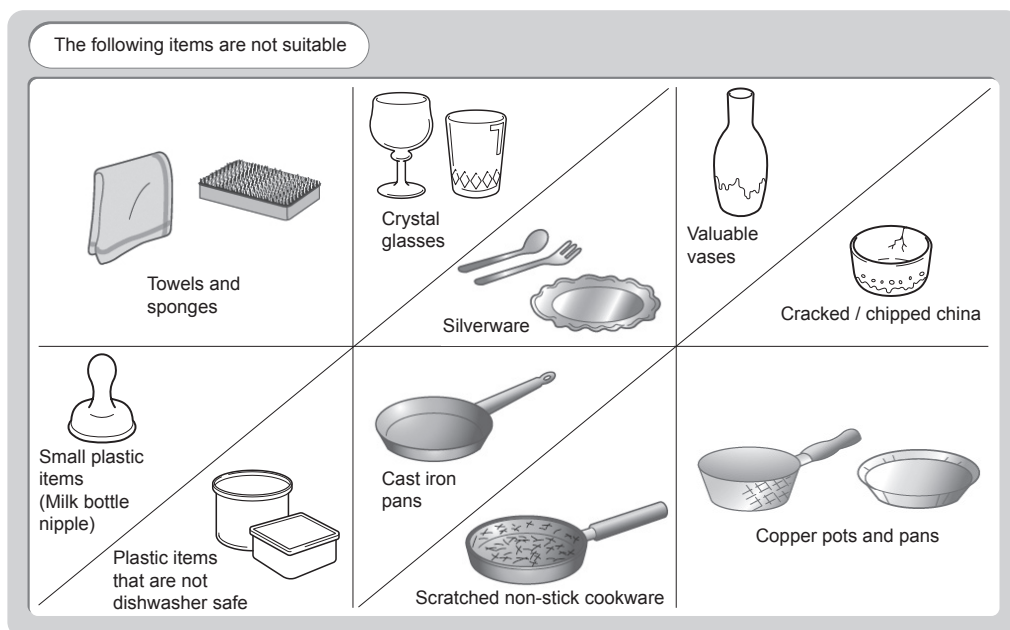
If the door is opened during operation, all functions are automatically interrupted.

## closing the door

- After loading the dishes, push the baskets fully into the dishwasher.
- Lift the door upwards and push until it clicks into position.
- Do not slam the dishwasher door.

## items not suitable for use in the dishwasher

When purchasing new crockery and cutlery, please make sure it is dishwasher-proof. Some items are not suitable for dishwashers.



- Wooden cutlery and crockery or items with wooden parts may discolour and fade. The glue used in these items is not dishwasher-proof and wooden handles may come loose after being washed in a dishwasher.
- Craft items, antiques, valuable vases and decorative glassware are also not suitable for dishwashers.
- Plastic items (e.g. tupperware) which are not heat resistant may melt or lose shape due to the high temperature in the dishwasher.
- Copper, brass, tin and aluminium items may discolour or become matt.
- Clouding may occur on glasses and delicate glassware after frequent washing. Do not wash delicate glassware or glassware containing lead crystal, in a dishwasher. Wash delicate glassware by hand instead.
- Silver and aluminium parts have a tendency to discolour during washing. Residues like egg white, egg yolk and mustard often cause discolouring and staining on silver. Therefore, please clean the residues from silver immediately after use.

18 \* All images are for reference only; please refer to your individual unit for actual item.

# adding detergent

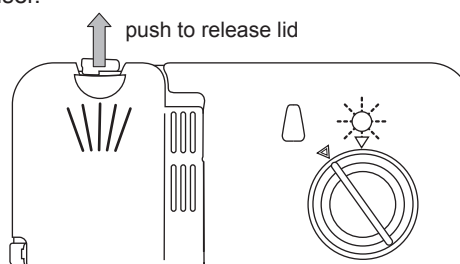
Only use detergents specifically designed for use in dishwashers. To be more environmentally friendly, please use no more than the correct amount of detergent. Fill the detergent dispenser with detergent power or tablet.



- Keep detergents and bleaches out of the reach of children.
- Irritating to eyes.
- Avoid contact with eyes. In case of contact with eyes, rinse immediately with plenty of water and seek medical advice.
- If swallowed, seek medical advice immediately.

Please follow the steps below to fill the detergent dispenser.

1. Push the button on the lid of the detergent dispenser in the direction of the arrow until the flap springs open.

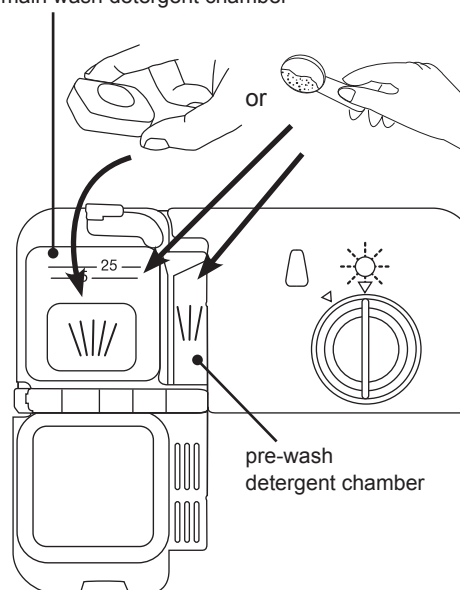


2. Fill the detergent dispenser with detergent powder or insert the detergent tablet. The marking indicates the filling level.



You can choose to add a detergent tablet alone or to add detergent powder to both the main wash detergent chamber and the pre-wash detergent chamber for your selected wash cycle. All programmes with pre-wash need an additional detergent dosage that must be placed in the pre-wash detergent chamber (please refer to the wash cycle table). This detergent will take effect during the pre-wash phase.

main wash detergent chamber



3. Close the lid firmly until it clicks into place.

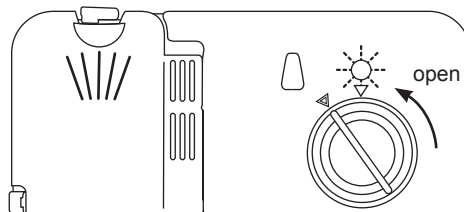
\* All images are for reference only; please refer to your individual unit for actual item.

## adding rinse aid

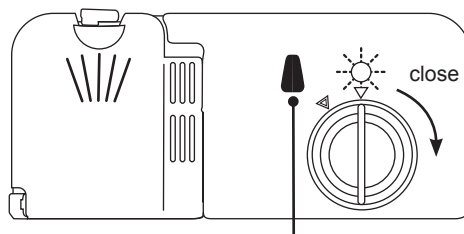
Rinse aid helps to ensure that washed crockery dries quickly and is free of marks. Only use rinse aid that is made for domestic dishwashers. This model is designed to use liquid rinse aids only. The correct amount needed will be dispensed automatically.

Please follow the steps below to fill the rinse aid reservoir.

1. Turn the cap anticlockwise until the cap open marking is aligned and lift the cap out.



2. Pour in the rinse aid until the level indicator turns completely black in colour. Be careful not to overfill the reservoir. Wipe up any spills.



rinse aid indicator

3. Replace the cap and turn clockwise to close.

- The rinse aid warning light will illuminate when the reservoir needs refilling.
- Alternatively, you can check the rinse aid indicator window next to the reservoir's cap. When it is black, it is full; when it is clear, it means it is almost empty.



- If the water in your area is soft, you may not need rinse aid as it may cause white film to develop on your dishes.

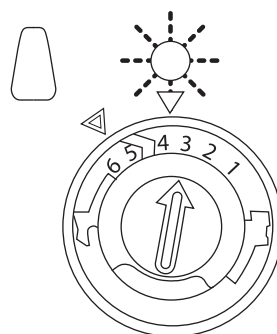
## adjusting the rinse aid setting

If dishes are not drying properly or are spotted, adjust the dial to the next highest number until your dishes are spot-free. The rinse aid reservoir has six settings. The recommended setting is "3."

1. Turn the cap anticlockwise and remove.
2. Using a coin or screwdriver turn the dial to adjust the setting.
3. Replace the cap and turn clockwise to close.



- If you decide to use a detergent tablet, you may not need to add rinse aid into the rinse aid reservoir.



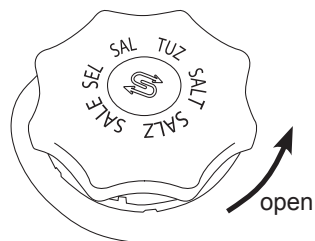
\* All images are for reference only; please refer to your individual unit for actual item.

## adding salt

If you live in a hard water area deposits may form on your dishes and utensils. Using salt softens the water and reduces the formation of deposits.

Please follow the steps below to fill the salt reservoir. The water hardness level will also need to be set.

1. Remove the lower basket and turn the reservoir cap anticlockwise.
2. Pour in approximately 1 kg of dishwasher salt.
3. Fill the reservoir with water until it overflows (first use only).
4. Clean any excess salt from around the reservoir opening and then screw the cap on again firmly.
5. Run the "Rinse" programme P8 immediately (without any crockery in the dishwasher) to remove any traces of salt from the compartment.



- The salt low warning indicator on the control panel will illuminate when the reservoir is running out of salt and requires refilling.
- Once refilled, the salt low warning indicator will cease to illuminate within a few days, depending on how quickly the salt dissolves.

## adjusting salt consumption

Salt consumption must be adjusted to correspond to the water hardness level in your area. If you don't know how hard the water in your home is, please ask the company that supplies water in your area.

It is recommended that adjustments should be made in accordance with the following chart.

water hardness			set hardness level
Germany °dh	France °fh	Britain °Clark	
0-5	0-9	0-6	1
6-11	10-20	7-14	2
12-17	21-30	15-21	3
18-22	31-40	22-28	4
23-31	41-55	29-39	5
32-50	56-90	40-63	6



1°dh (German degree) = 0.18 mmol/l  
 1°fh (French degree) = 0.1 mmol/l  
 1°Clark (British degree) = 0.142 mmol/l

To adjust your dishwasher for the local water hardness, please follow these steps and refer to the table above.

1. With the appliance switched off, press and hold the **Program** button and then press the **On/Off** button.
2. Keep the **P** programme button pressed until "SL" disappears in the display window.
3. Release the **P** button, the display window will display the latest entered water hardness setting.
4. Press the **P** button repeatedly to adjust the water hardness level.
5. After adjusting the water hardness level, press the **On/Off** button to save the setting.



- Do not use everyday table salt or cooking salt as they contain insoluble substances which could damage the dishwasher.
- Do not pour detergent into the salt container. This will damage the dishwasher.

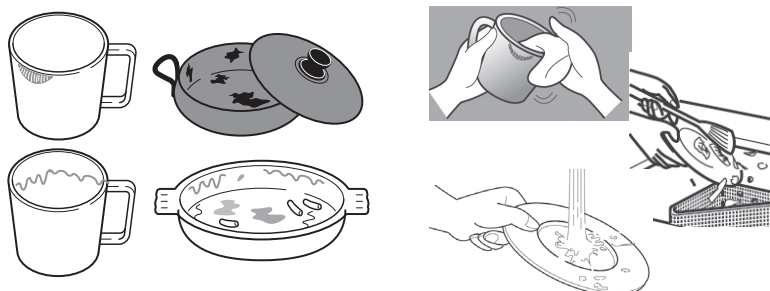
\* All images are for reference only; please refer to your individual unit for actual item.

# loading the dishwasher

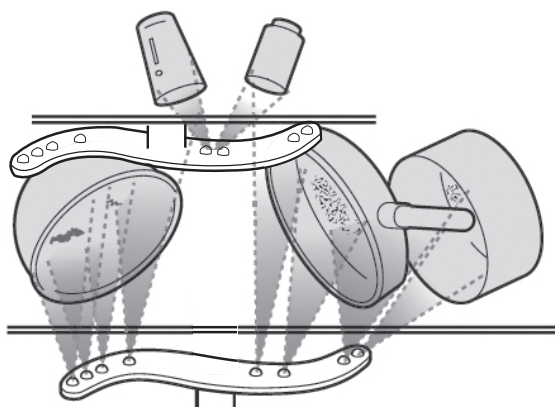
## before loading the dishwasher

Please observe the following notes before loading your cutlery and crockery into the basket.

- Remove lipstick stains and any food residues from crockery and dishes. Rinse if necessary.



- Dishes and cutlery must not lay inside one another, or cover each other.
- Load your cutlery and crockery so that water can access all surfaces.



- Ensure all items are securely positioned.
- Hollow items such as cups, glasses, pans, etc. must be placed upside down in the basket.
- Wide based items should be placed at an angle so that water can run off them freely.
- The spray arms must not be blocked by items which are too tall or hang through the baskets. If in doubt, test for free movement by manually rotating the spray arms.
- Ensure that small items cannot fall through the holders in the baskets.



Do not wash items soiled with ash, sand, wax, lubricating grease or paint in the dishwasher. Ash does not dissolve and can distribute in the dishwasher. Wax, sand, lubricating grease and paint can cause damage to the dishwasher.

\* All images are for reference only; please refer to your individual unit for actual item.

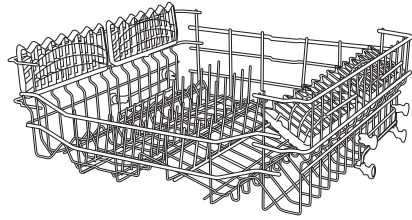


For safety reasons, do not operate the dishwasher without the upper and lower baskets in place.

## upper basket

Use the upper basket for small and lightweight items such as cups, saucers, glasses, dessert bowls, etc. Shallow pans or casserole dishes can also be placed in the upper basket.

Long items such as soup ladles, mixing spoons and long knives should be placed lying down across the front of the upper basket.

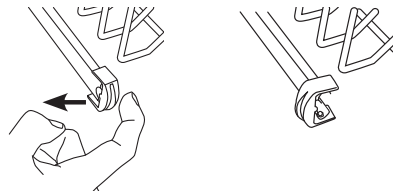


### *adjusting the upper basket*

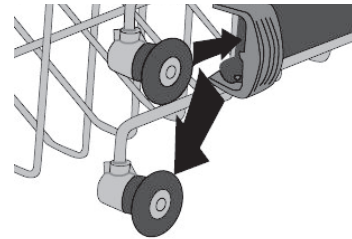
More space can be created for large items on the upper or lower baskets by adjusting the height of the upper basket.

To adjust the height of the upper basket:

1. Push back the rail stops on both sides.
2. Slide the basket out from the rails and replace at the desired height.
3. Replace the rail stops to their original positions.



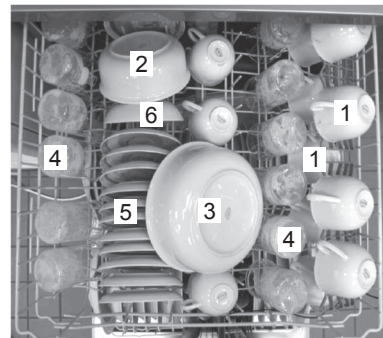
Position of upper basket	Maximum plate diameter	
	Top basket	Bottom basket
Upper position	190 mm	300 mm
Lower position	240 mm	250 mm



### *loading the upper basket*

For optimum loading of crockery in the upper basket, please refer to the below table and image.

number	item
1	Cups
2	Medium serving bowl
3	Large serving bowl
4	Glasses
5	Saucers
6	Small serving bowl



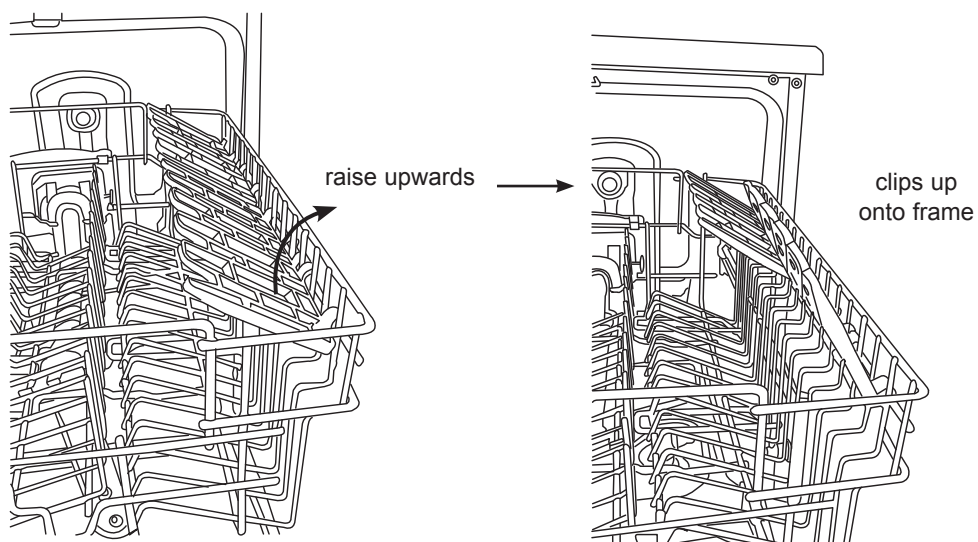
\* All images are for reference only; please refer to your individual unit for actual item.

### *hinged cup rack*

The cup racks on the upper basket can be lifted up or removed to make room for taller items e.g. you can lean tall glasses against them.

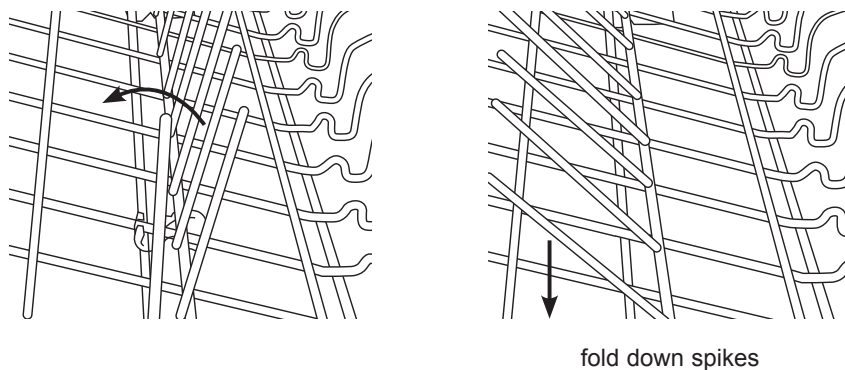


To prevent water dripping from the upper basket onto the dishes in the lower basket, we recommend that you empty the lower basket first.



### *hinged spikes*

The spikes on the upper basket are used for holding plates and platters. They can be lowered to make more room for large items:



\* All images are for reference only; please refer to your individual unit for actual item.

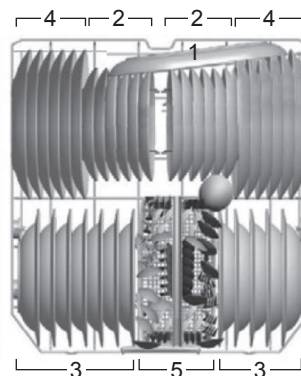


## lower basket

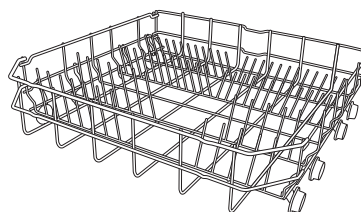
### loading the lower basket

For optimum loading of crockery in the lower basket, please refer to the below table and image.

number	item
1	Oval platter
2	Dessert dishes
3	Soup plates
4	Dinner plates
5	Cutlery basket



Large and difficult to clean items (such as plates, serving platters, saucepans, serving bowls, pots, pans, lids etc.) can be placed in the lower basket. Place serving dishes and lids at the sides of the basket to avoid blocking the rotation of the spray arms. Loading large items is not the most efficient way to use your dishwasher. For optimum loading see above.



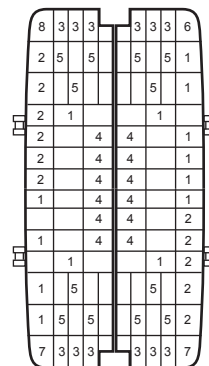
## cutlery basket

To make unloading much easier, cutlery should be grouped in zones when placed in the cutlery basket.

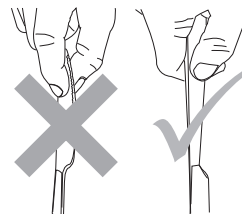
### loading the cutlery basket

Please refer to the table below for placement of cutlery.

number	item
1	Spoons
2	Forks
3	Knives
4	Teaspoons
5	Soup spoons
6, 7 & 8	Serving spoons and forks



- Do not let any items extend through the bottom of the baskets.
- To avoid the risk of injury, load knives and forks with handles upwards. Do not hold them by the sharp edge.
- The cutlery basket comes with covers which are designed so you can load cutlery into the appropriate slots. If you use the basket without the covers, washing results may be reduced.
- Ensure the covers are securely fixed to the basket before operation.
- To comply with Standards of Performance, all cutlery must be loaded according to the instructions in this manual.



\* All images are for reference only; please refer to your individual unit for actual item.

## wash cycle table

programme	cycle selection information	process	detergent amount **	running time (min.)	energy consumption (kwh)	water consumption (l)
<b>P1</b> Auto Delicate	Automatically adjusts the washing time with temperature and amount of water by determining the level of soiling	Automatically adjusts the washing time with temperature and amount of water by determining the level of soiling	• pre-wash (5g) • main wash (25g)	111-183	1.22-1.8	13.3-24.6
<b>P2</b> Auto Normal			• pre-wash (5g) • main wash (25g)	100-127	1.12-1.3	10.9-18.5
<b>P3</b> Auto Intensive			• main wash (25g)	64-92	0.81-0.96	10.6-17.7
<b>P4</b> Hygiene	Densely soiled dishes waiting for a long time or requiring hygienic wash	Pre-wash Wash (60°C) Cold Rinse Hot Rinse Dry	• pre-wash (5g) • main wash (25g)	123	1.55	15
<b>P5</b> 55-60°C	Soups, sauces, pasta, eggs, pilaf, potato and oven dishes, fried foods	Pre-wash Wash (60°C) Cold Rinse Hot Rinse Dry	• pre-wash (5g) • main wash (25g)	55	1.07	11
<b>P6*</b> Eco	Coffee, milk, tea, cold meats, moist vegetables	Pre-wash Wash (50°C) Cold Rinse Hot Rinse Dry	• pre-wash (5g) • main wash (25g)	162	0.90	9.0
<b>P7</b> Quick	Coffee, milk, tea, cold meats, moist vegetables	Pre-wash Wash (40°C) Cold Rinse Hot Rinse Dry	• main wash (25g)	30	0.88	11
<b>P8</b> Rinse	Pre-wash to rise and loosen residue awaiting full load then select a programme	Pre-wash	N/A	15	0.02	4.2
Extra Hygiene (Prewash + Hygiene 60°C)	Dishes with dense dirt waiting for a long time or requiring hygienic washing.	Pre-wash Wash (50°C) Wash (70°C) Cold Rinse Warmish Rinse Hot Rinse Dry	• pre-wash (5g) • main wash (25g)	161	1.75	22.7

\* To comply with Standards of Performance, the economy setting is used as reference.




### Condensing dry technology

- Energy is saved by drying the dishes using the remaining heat after the last rinse cycle.
- Wash cycle times are extended due to this drying method.
- Some wash programmes do not have a drying function, please refer to the Wash Cycle Table for more details.

\* All images are for reference only; please refer to your individual unit for actual item.

## using the dishwasher

1. Ensure the unit is connected to the mains power and the water supply is on.
2. Open the door and load the baskets. It is recommended that the lower basket is loaded first, and then the upper basket. Push the baskets back into the dishwasher.
3. Pour in the detergent or place the detergent tablet in the detergent compartment and close firmly afterwards.
4. Press the  **ON/OFF** button. The display will show "--"
5. Select the wash cycle programme based on the loading and soil requirements. Please refer to the section "Wash Cycle Table".
6. The display will indicate the selected programme and the time the programme will take.
7. Close the dishwasher door. A click should be heard when the door is closed correctly. Do not slam the door.
8. The washing cycle will begin shortly.



If you open the dishwasher door during the washing cycle and then close it, the dishwasher will continue the current washing programme after 10 seconds.

---

## changing the programme

To change the programme once a washing cycle has already started, follow the steps below.

1. Open the door slightly to avoid water spillage before opening the door fully. Check if the unit has dispensed the detergent or detergent tablet. This will depend on how long the washing cycle was running for. The last selected programme will appear on the window display.
2. If the detergent dispenser lid is opened, we suggest that you allow the wash cycle to finish.
3. If the detergent dispenser lid is still closed, press and hold down the **P** button for 3 seconds to cancel the programme. End of program indicator flashes and the display window shows "1". You can then select the required new programme button and close the dishwasher door. The new washing cycle will start shortly.

## at the end of the programme

At the end of the programme, the dishwasher will beep and the end of program indicator will light up.





The condensation strip helps to prevent the risk of steam damage to the worktop edging above the dishwasher, it is advisable to leave the door closed until you are ready to unload the dishwasher.

---

\* All images are for reference only; please refer to your individual unit for actual item.

## switching the dishwasher off

To save energy, remember to switch the dishwasher off using the  **ON/OFF** button. The dishwasher will continue to use electricity until it is switched off with the  **ON/OFF** button.



---

If the dishwasher is not going to be used for a long period of time, e.g., you are going on holiday, please disconnect the dishwasher from the mains supply and switch off the water supply.

---



## unloading the dishwasher

Allowing dishes to cool down before unloading is important as dishes tend to break and chip more easily when they are hot.

Unload the lower basket first, followed by the cutlery basket and then the upper basket. This will prevent water drops from the upper basket from falling onto the dishes in the lower basket.

## delay start

You can delay the starting time of a washing programme by between 1 and 19 hours by following the steps below.

1. Open the dishwasher door and load your soiled dishes and crockery.
2. Press the  **ON/OFF** button to turn on the dishwasher.
3. Select your preferred programme.
4. Press the  button to select the length of delay.
5. Close the door. The unit will start the programme at the assigned time automatically.



---

Each press of this button increases the delay start time in 1 hour increments.

---

\* All images are for reference only; please refer to your individual unit for actual item.

## half load

A half load option can be selected if you do not have enough dishes for a full load. There are three options that can be selected: lower basket, upper basket and both baskets. This will help save hot water and electricity. To use these functions, please follow the steps below.

1. Open the dishwasher door and load your soiled dishes and crockery onto the basket.
2. Press the **ON/OFF** button to turn on the dishwasher.
3. Select your preferred programme.
4. Keep pressing the “1/2” button until the desired half load indicator lights up:



If you have only a few dishes in both upper and lower baskets, keep pressing the **1/2** button until both LED lights are highlighted.



If you have dishes only in the upper basket, keep pressing the **1/2** button until the upper LED light is illuminated. Only dishes on the upper basket will be washed. Make sure there are no dishes in the lower basket while using this feature.



If you have dishes only in the lower basket, keep pressing the **1/2** button until the lower LED light is illuminated. Only dishes in the lower basket will be washed. Make sure that there are no dishes in the upper basket while using this feature.

5. Close the door and the programme will start.

## cleaning the dishwasher

### external care

#### *the door and the door seal*

- Clean the door seals regularly with a soft damp cloth to remove food deposits.
- When the dishwasher is being loaded, food and drink residues may drip onto the sides of the dishwasher door. These surfaces are outside the wash cabinet and are not accessed by water from the spray arms. Any deposits should be wiped off before the door is closed.

#### *the control panel*

If cleaning is required, the control panel should be wiped with a soft damp cloth **ONLY**.

### internal care



- To avoid penetration of water into the door lock and electrical components, do not use a spray cleaner of any kind.
- Never use abrasive cleaners or scouring pads on the outer surfaces because they may scratch the finish. Some paper towels may also scratch or leave marks on the surface.

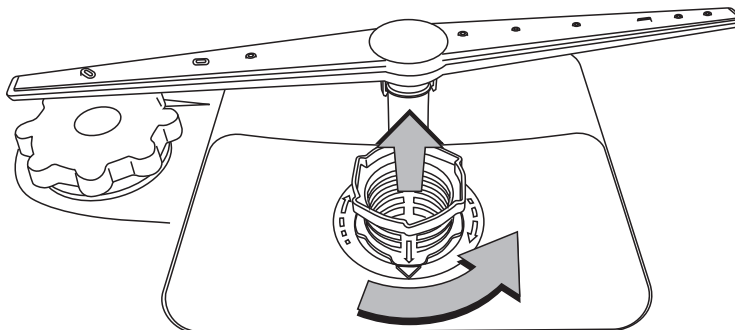
\* All images are for reference only; please refer to your individual unit for actual item.

## filtering system

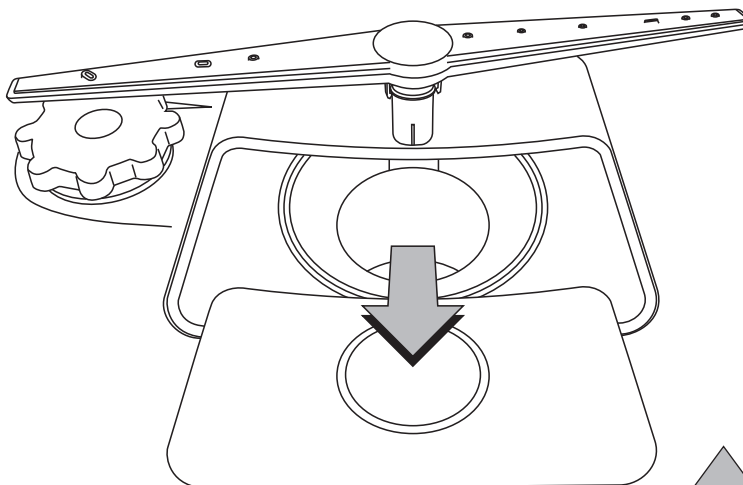
The filtering system in the base of the wash cabinet retains coarse debris from the washing cycle. The collected coarse debris may cause the filters to clog. Check the condition of the filters regularly and clean them if necessary under running water.

Follow the steps below to clean the filters in the wash cabinet.

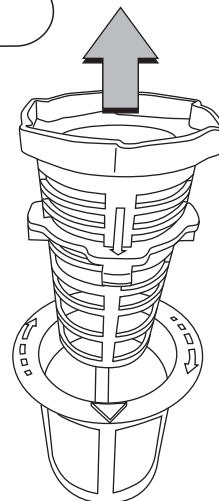
1. Ensure the dishwasher is switched off.
2. Turn the coarse filter anti-clockwise and gently lift it out.



3. Gently lift the metal filter and pull out.



4. The centre of the filter can be removed by gently pulling it apart. Rinse all the filters under running water, including the filter cylinder, and then refit all filters in the reverse order.
5. Carefully refit the main filter.
6. Gently turn the coarse filter in clockwise direction until the arrows align and it clicks into place.



\* All images are for reference only; please refer to your individual unit for actual item.

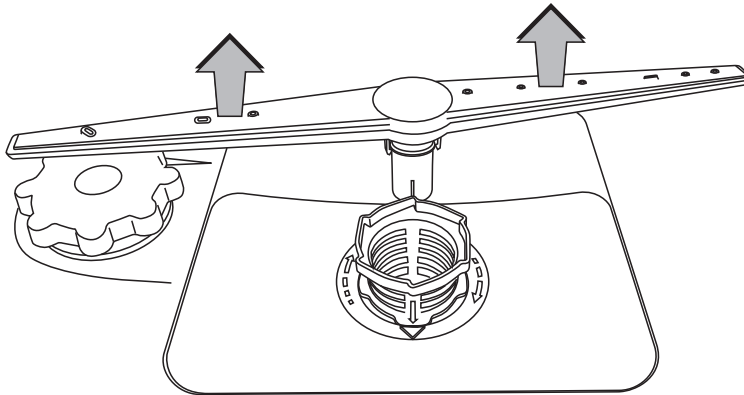
## spray arms



- Do not over tighten the filters.
- Put the filters back in sequence securely, otherwise coarse debris could get into the system and cause a blockage.
- **NEVER** use the dishwasher without the filters in place. Improper replacement of the filters may reduce the performance level of the appliance and damage dishes and utensils.

Particles of food can get stuck in the spray arm jets and block them. They should be checked and cleaned regularly.

1. Ensure the dishwasher is switched off.
2. Check the holes in the upper and lower spray arms for clogging. If there is any clogging, remove the spray arms and clean them under running water.
3. The lower spray arm can be removed by pulling it upwards, while the upper spray arm nut can be removed by turning the nut anticlockwise.
4. Be sure that the nut is perfectly tightened when refitting the upper spray arm.



## frost precaution

Avoid placing the dishwasher in a location where the temperature is below 0°C. If your appliance is left in an unheated place over the winter, you are advised to:

1. Disconnect the unit from the water inlet.
2. Turn on the unit. Select any washing cycle and let it run for 1 minute only. This will allow all the excessive water that remains in the unit to drain out.
3. Disconnect from the mains.
4. Empty the dishwasher.
5. Close the dishwasher's door.
6. Disconnect the unit from the water drain. Use a suitable receptacle to catch any residual water in the pipes.

Should you encounter any difficulties with the above steps, please ask a service technician for assistance.

## moving the dishwasher

If you have to move the unit, for instance due to moving house, you are advised to:

1. Disconnect the dishwasher from the mains.
2. Disconnect the unit from the water inlet and drain. Use a suitable receptacle to catch the water.
3. Remove the unit from the current location with the hoses discharged.
4. Pull the unit out together with the hoses.



- Avoid over tilting the unit during transportation.
  - We recommend that 2 people handle the dishwasher during installation.
- 

## maintenance for a prolonged period of non-operation

If you are not going to use the unit for a prolonged period of time, you are advised to:

1. Disconnect the dishwasher from the mains.
2. Disconnect the dishwasher from the water inlet and drain. Use a suitable receptacle to catch any residual water in the pipes.
3. Slightly open the door to prevent unpleasant smells building up in the compartment.
4. Ensure the washing compartment of the dishwasher is clean.

Should you encounter difficulties to do the above steps, please ask a service technician for assistance.

\* Images are for reference only. Please refer to your individual model for details.



## hints and tips



- Repairs should only be carried out by a qualified technician in strict accordance with current local and national safety regulations. Unauthorised or incorrect repairs could cause personal injury or damage to the unit.
- Before calling for service, please refer to Hints and Tips to solve some general problems by yourself.

## fault codes

codes	possible causes	remedy
F1	Water overflow warning	<ul style="list-style-type: none"> <li>• Turn the power to the machine off and close the tap.</li> <li>• Contact service.</li> </ul>
F2	Waste water in the machine cannot be discharged	<ul style="list-style-type: none"> <li>• Water discharge hose is clogged.</li> <li>• The filters might be clogged.</li> <li>• Power off-on your machine, then press and hold down the <b>P</b> button for 3 seconds.</li> <li>• If the error continues, contact service.</li> </ul>
F3	Continuous water input	<ul style="list-style-type: none"> <li>• Close the tap.</li> <li>• Contact service.</li> </ul>
F5	Inadequate water supply	<ul style="list-style-type: none"> <li>• Make sure the water input tap is totally open and that there is no water cut.</li> <li>• Close the water input tap, separate the water input hose from the tap and clean the filter at the connection end of the hose.</li> <li>• Restart your machine, contact service if the error continues.</li> </ul>
F6	Faulty heater sensor	<ul style="list-style-type: none"> <li>• Contact service.</li> </ul>
F7	Overheating (temperature in the machine is too high)	<ul style="list-style-type: none"> <li>• Contact service.</li> </ul>
F8	Heater error	<ul style="list-style-type: none"> <li>• Contact service.</li> </ul>
F9	Divisor position error	<ul style="list-style-type: none"> <li>• Contact service.</li> </ul>
FE	Faulty electronic card	<ul style="list-style-type: none"> <li>• Contact service.</li> </ul>

## technical problems

problem	possible causes	remedy
The dishwasher does not start.	The door is not properly closed.	Close the door firmly.
	The unit is not connected to the mains.	Insert the plug to the mains.
	The unit is not switched on.	Press the <b>⏻ ON/OFF</b> button and select a programme.
The drain pump is not working properly.	The anti-flooding system has operated.	<ul style="list-style-type: none"> <li>• Disconnect from the mains.</li> <li>• Disconnect the water inlet.</li> <li>• Call a qualified technician.</li> </ul>

\* Images are for reference only. Please refer to your individual model for details.

## general problems

problem	possible causes	remedy
Detergent residue left in compartment at the end of the programme.	The detergent compartment was still wet when detergent was added.	Make sure the compartment is dry before adding detergent.
The detergent dispenser lid cannot be closed properly.	Clogged detergent residue is stopping the catch working.	Clean the catch.
Knocking noise in the wash cabinet.	A spray arm is knocking against an item in a basket.	Interrupt the programme and rearrange the items which are obstructing the spray arm. See the section "Loading the dishwasher".
	Dishes incorrectly placed.	
Smearing appears on glassware and cutlery.	The rinse aid dosage is set too high.	Adjust the dial of the rinse aid dispenser to a lower setting.
Dishes, cutlery and glasses are not dry.	The rinse aid reservoir is almost empty or amount of rinse aid may be insufficient.	Replenish the reservoir, adjust the rinse aid dispenser dial to a higher setting or change the brand of rinse aid.
	Crockery was taken out of the dishwasher too soon.	Leave the crockery in the dishwasher until you hear the audible sound.
White residue is visible on cutlery and crockery, clouding occurs on glassware; film can be wiped off.	Not enough rinse aid was used.	Replenish the reservoir, adjust the rinse aid dispenser dial to a higher setting or change the brand of rinse aid.
	There is not enough salt in the salt reservoir.	Fill the salt reservoir.
	The salt reservoir cap has not been screwed on correctly.	Ensure the cap is screwed back on correctly.
	Unsuitable detergent has been used.	Change your detergent. Use a dishwasher standard powder detergent or tablet.
Glassware is dull and discoloured; film cannot be wiped off.	The glassware is not dishwasher proof. The surfaces are affected.	Wash the non-dishwasher proof glassware by hand instead.
Tea or lipstick stains have not been completely removed.	The wash temperature of the selected programme was too low.	Select a programme with a higher wash temperature.
	The bleaching effect of the detergent used is too low.	Change your detergent.
	Forgot to pre-rinse or remove the stains with napkin prior washing.	Pre-rinse or remove the stains with napkin prior washing.

\* All images are for reference only; please refer to your individual unit for actual item.

## disposal of the dishwasher

- When disposing of your old dishwasher, first make it unusable. Disconnect from the electricity and water suppliers, cut off the cable and the plug from the cable. Make the door lock inoperative, so that children cannot accidentally shut themselves in. Make appropriate arrangements for the disposal of the dishwasher.
- At the end of its working life, the product must not be disposed of as urban waste. It must be taken to a special local authority differentiated waste collection centre or to a dealer providing this service. Disposing of a household appliance separately avoids possible negative consequences for the environment and health deriving from an inappropriate disposal and enables the constituent materials to be recovered to obtain significant savings in energy and resources. As a reminder of the need to dispose of household appliances separately, the product is marked with a crossed-out wheeled dustbin.
- Please ensure that it presents no danger to children while being stored for disposal.

## disposal of packing material

Please dispose of the plastic wrappings and bags safely and keep out of the reach of babies and young children.

\* All images are for reference only; please refer to your individual unit for actual item.

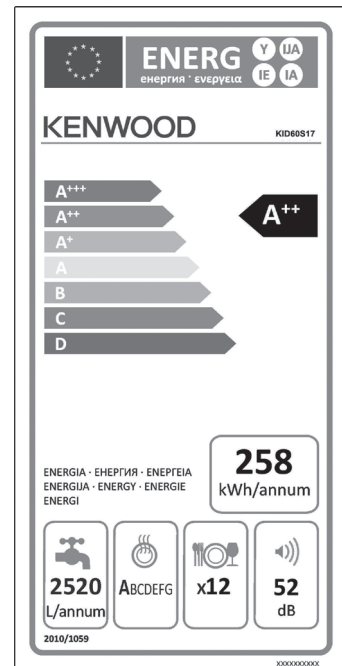
## product fiche and specifications

<b>Brand</b>	<b>Kenwood</b>
<b>Model</b>	<b>KID60S17</b>
<b>Product Type</b>	Dishwasher
<b>Mass of the Appliance</b>	38kg
<b>Dimensions</b>	820 mm - 870 mm (H) x 596 mm (W) x 550 mm (D)
<b>Capacity</b>	12 Place Settings
<b>Water Pressure Required</b>	0.03 - 1.00MPa
<b>Rated Voltage</b>	230-240V~50Hz
<b>Energy Efficiency Class <sup>1</sup></b>	A++
<b>Annual Energy Consumption <sup>2</sup></b>	258 kWh
<b>Energy Consumption</b>	0.90 kWh
<b>Off Mode Power Consumption</b>	0.5 W
<b>Left-on Mode Power Consumption</b>	1.00 W
<b>Annual Water Consumption <sup>2</sup></b>	2520 litres
<b>Drying Efficiency Class <sup>3</sup></b>	A
<b>Standard Programme Name <sup>4</sup></b>	ECO 50°C
<b>Programme Time for Standard Cycle</b>	162 min
<b>Noise Level</b>	52 dB(A)
<b>Mounting</b>	Built in

Features and specifications are subject to change without prior notice.

**Note:**

- ❶ A + + + (highest efficiency) to D (lowest efficiency)
  - ❷ Energy consumption 258 kWh per year, based on 280 standard cleaning cycles using cold water fill and the consumption of the low power modes. Actual energy consumption will depend on how the appliance is used. Water consumption 2520 liters per year based on 280 standard cleaning cycles. Actual water consumption will depend on how appliance is used.
  - ❸ Drying efficiency class A on a scale from G(least efficient) to A (most efficient).
  - ❹ The “Eco 50 °C” is the standard cleaning cycle to which the information in the label and the fiche relates. This programme is suitable to clean normally soiled tableware and it is the most efficient programme in terms of combined energy and water consumption.
- The above values have been measured in accordance with standards under specified operating conditions. Results may vary greatly according to quantity and pollution of the dishes, water hardness, amount of detergent, etc.detergent, etc. amount of detergent, etc.







## Need Help with your product?

Your product is supported by Knowhow

under a Trademark Licence from Fisher & Paykel Appliances Italy SpA.

For help or spare parts please call us on:

**0344 561 1234**



The symbol on the product or its packaging indicates that this product must not be disposed of with your other household waste. Instead, it is your responsibility to dispose of your waste equipment by handing it over to a designated collection point for the recycling of waste electrical and electronic equipment. The separate collection and recycling of your waste equipment at the time of disposal will help conserve natural resources and ensure that it is recycled in a manner that protects human health and the environment. For more information about where you can drop off your waste for recycling, please contact your local authority, or where you purchased your product.

DSG Retail Ltd. (co. no. 504877)  
1 Portal Way, London, W3 6RS, UK

Manufactured for DSG Retail Limited under Licence from Fisher & Paykel Appliances Italy SpA.  
DSG Retail Limited is responsible for after sales service.

IB-KID60S17-170530V1