

ESSENTIALS INSTRUCTION MANUAL

TABLETOP DISHWASHER

CDWTT13



currys

Contents

Safety Warnings	5
Unpacking	8
Installation	9
Location.....	9
Product Overview	12
Front View.....	12
Rear View.....	12
Dishwasher Basket and Cutlery Basket.....	13
Internal View.....	13
Control Panel.....	14
Before Operating	15
To Open the Door.....	15
To Close the Door.....	15
Items Not Suitable for Use in the Dishwasher.....	15
Adding Detergent or Detergent Tablet	16
Adding Rinse Aid	17
Adjusting the Rinse Aid Reservoir.....	17
Adding Salt	18
Loading the Dishwasher	19
Before Loading the Dishwasher.....	19
Dishwasher Basket.....	20
– Hinged Cup Rack.....	20
– Hinged Spikes.....	20
– Loading the Dishwasher Basket for 6 Place Settings.....	21
Cutlery Basket.....	21
Operation	22
Starting a Wash Cycle.....	22
Changing a Programme.....	22
At the End of a Programme.....	22
Switching Off the Unit.....	22
Unloading the Dishwasher.....	22
Wash Cycle Table	23

Cleaning After Use	24
External Care	24
– The Door and the Door Seal	24
– The Control Panel	24
Internal Care	24
– Filtering System	24
– Spray Arms.....	25
Frost Precaution	25
Moving the Dishwasher	25
Maintenance After a Prolonged Period of Non-Operation	25
Hints and Tips	26
Technical Problems	26
General Problems	27
Disposal of the Dishwasher	28
Disposal of Packing Material	28
Specifications	29

Safety Warnings

For your continued safety and to reduce the risk of injury or electric shock, please follow all the safety precautions listed below.

- Read all instructions carefully before using the dishwasher and keep them for future reference.
- Retain the manual. If you pass the dishwasher onto a third party, make sure to include this manual.
- Keep ventilation openings in the dishwasher enclosure clear of obstructions.
- Choose a location for your dishwasher away from heat sources such as radiators or fires.
- Young children should be supervised to ensure that they do not play with the dishwasher.
- Keep mains cable out of reach of children.
- This appliance can be used by children aged from 8 years and above and persons with reduced physical, sensory or mental capabilities or lack of experience and knowledge if they have been given supervision or instruction concerning use of the appliance in a safe way and understand the hazards involved. Children shall not play with the appliance. Cleaning and user maintenance shall not be made by children without supervision.
- Keep the appliance and its cord out of reach of children less than 8 years old.
- Keep children away from detergents and rinse aids. These may cause chemical burns in the mouth, throat and eyes or asphyxiation.
- Keep children away from the dishwasher when the door is open.
- Switch off water and power and unplug before fitting or removing tools/ attachments, after use and before cleaning.
- Keep your fingers away from moving parts and fitted attachments.
- Never use a damaged machine.
- If the mains cable is damaged, it must be replaced by the manufacturer, its service agent or a qualified technician in order to avoid a hazard.
- Keep the power unit, mains cable and plug away from water.
- Never exceed the maximum capacities.
- 2 people are required to lift this dishwasher.
- Only use the dishwasher for its intended domestic use.

- This appliance is intended for indoor household use and similar applications such as:
 - farm houses and by clients in hotels, motels and other residential type environment;
 - bed and breakfast type environment;
 - catering and similar non-retail applications.

WARNING



IT IS HAZARDOUS FOR ANYONE OTHER THAN AUTHORISED SERVICE PERSONNEL TO CARRY OUT SERVICING OF REPAIRS WHICH INVOLVE THE REMOVAL OF COVERS.



TO AVOID THE RISK OF AN ELECTRICAL SHOCK DO NOT ATTEMPT REPAIRS YOURSELF.

- Do not sit or stand on the door or dish rack.
- Do not move your dishwasher by holding the door or its edges. Hold the dishwasher around its sides or base when moving it.
- Do not touch the heating element during or immediately after use.
- Do not operate your dishwasher unless all enclosure panels are properly in place. Open the door very carefully when there is a programme running, as there is a risk of hot water spraying out of the appliance.
- Do not place any heavy objects on the open door. The appliance could tip.
- When loading items to be washed:
 - Locate sharp items so that they will not damage the door seal;
 - Warning: Knives and other utensils with sharp points must be loaded in the basket with the points downwards or placed horizontally.
 - Do not allow plastic items to come into contact with heating element.
 - Check that the detergent receptacle is empty after completion of the wash cycle.
 - Do not wash plastic items unless they are marked dishwasher safe or equivalent.
- Use only detergent and rinse aids designed for an automatic dishwasher.
- Other means for disconnection from the supply must be incorporated in the fixed wiring with at least 3mm contact separation in all poles.
- The door should not be left in the open position since this could present a tripping hazard.

- For energy saving, always remember to switch the dishwasher off when you have finished using it. The dishwasher should not be left unattended when in use.
- Remove the door to the washing compartment when removing an old dishwasher from service or discarding it.
- During installation, the power supply cord must not be excessively or dangerously bent or flattened.
- Do not tamper with controls.
- The appliance is to be connected to the water mains using new hose sets.
- The maximum number of place settings to be washed is 6.
- The maximum permissible inlet water pressure is 1Mpa, and the minimum permissible inlet water pressure is 0.04Mpa.



earthing instructions

WARNING: THIS APPLIANCE MUST BE EARTHED.

- This appliance is equipped with a mains cable having an equipment-earthing conductor and an earthing plug.
- The plug must be plugged into an appropriate mains socket that is installed and earthed in accordance with local standards and requirements.



Improper connection of the equipment-earthing conductor could result in a risk of electric shock.

- The wires in the cord are coloured as follows:
Green and Yellow = Earth,
Blue = Neutral,
Brown = Live.
- Check with a qualified electrician or service representative if you are in doubt whether the appliance is properly earthed or the plug does not fit correctly.
- Never modify the plug provided with the appliance.

Thank you

for purchasing the new Currys Essentials Dishwasher.

These operating instructions will help you use it properly and safely.

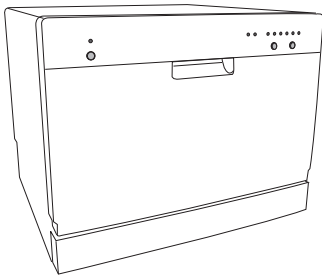
We recommend that you spend some time reading this installation/instruction manual in order that you fully understand all the operational features it offers.

Read all the safety instructions carefully before use and keep this installation/instruction manual for future reference.

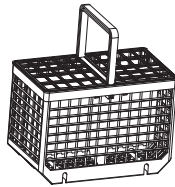
Unpacking

Remove all items from the packaging. Retain the packaging. If you dispose of it please do so according to local regulations.

The following items are included:



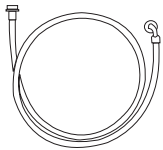
The Main Unit



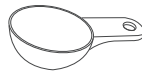
Cutlery Basket



This product has been wet tested to ensure correct operation. As a result some water may remain inside the unit. This is normal and safe. Remove any water droplets from the exterior if necessary.



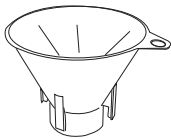
Water Supply Hose X 1



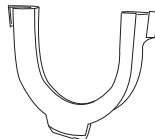
Detergent Measuring Spoon X 1
1 full spoon = 20g (approx.)



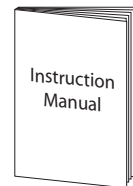
Measuring Cup X 1
60ml (approx.)



Salt Funnel X 1



U-Shape Hose Holder X 1



Instruction Manual X 1



If items are missing, or damaged please contact Partmaster (UK only).
Tel: 0844 800 3456 for assistance.

INSTALLATION

Location

When selecting a position for your freestanding dishwasher you should make sure the installation surface is flat and firm, and the room is well ventilated. Avoid locating your dishwasher near a heat source, eg. cooker, boiler or radiator. Extreme cold ambient temperatures may also cause the appliance not to perform properly. This dishwasher is not designed for use in a garage or outdoors.

Do not cover the dishwasher. When installing, ensure that free space is left at the sides.

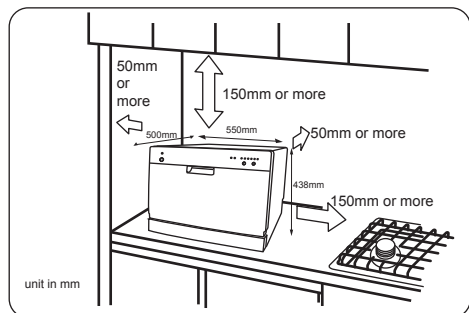
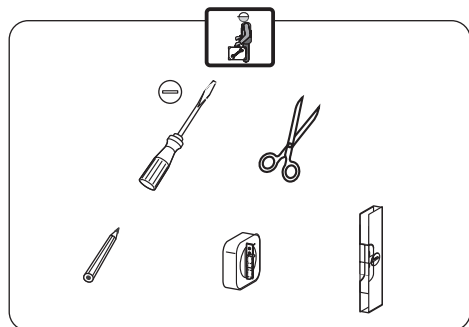
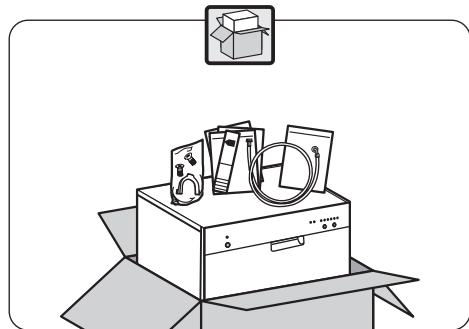


All parts removed must be saved to do the reinstallation in the future. Ensure the dishwasher is unplugged and empty. We recommend that 2 people handle the dishwasher during installation.

1. Please ensure the dishwasher is installed by a qualified technician. Refer to the tools required.

2. Ensure there is sufficient clearance on each side of the unit to allow slight sideways movement for servicing when required. Good levelling is essential for correct closure and sealing of the door. When the unit is correctly levelled, the door should not catch the inner liner on either side of the cabinet.

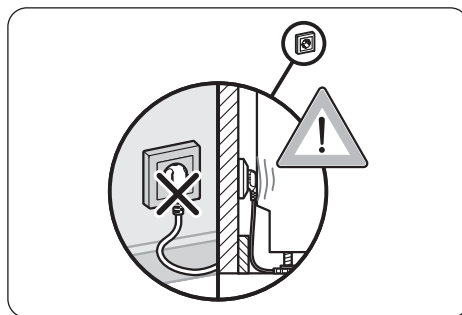
The dimensions of the dishwasher are 550(W) x 500(D) X 438(H) in mm. The figure outlines the minimum dimensions required to accommodate the table top dishwasher. Protect plastic parts and cables from high temperatures.



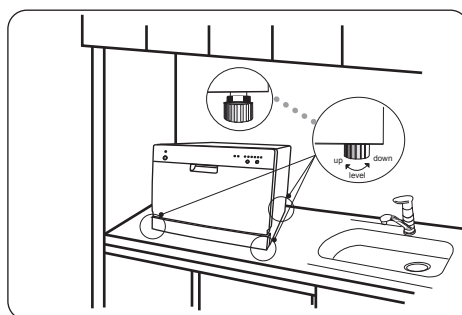
INSTALLATION

3. Do not connect the unit to the mains socket before installation. Ensure you are not installing the unit right in front of the mains socket. This is to avoid potential damage to the back of the unit.

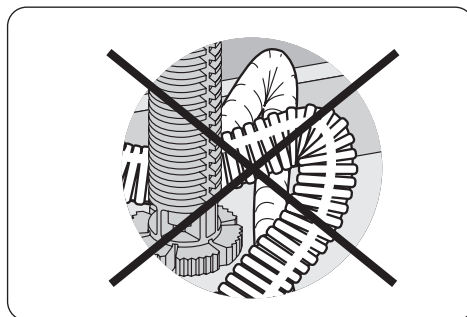
After installing the appliance, ensure that the mains plug is easily accessible.



4. The electrical connection conditions must correspond with the specifications on the rating plate of the dishwasher. Do not use extension cables.
5. Position the unit next to a water tap and a drain. Level the unit if needed.



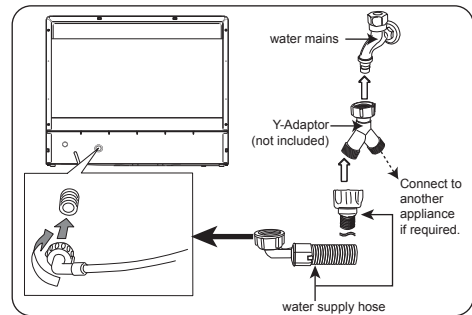
6. Ensure the water inlet and drain hoses are not kinked or squashed. The unit must not stand on the electrical supply cable.



INSTALLATION

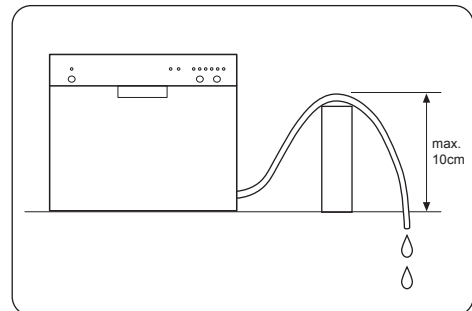
7. Make sure your plumbing is suitable for use with the dishwasher. If in doubt contact a qualified plumber. This unit **MUST BE** connected to **COLD WATER MAINS** using the new water inlet hose. **OLD HOSE SETS MUST NOT BE RE-USED.** The water pressure from the water mains needs to be at a minimum of 0.04 MPa and a maximum of 1.00MPa.

- Connect one end of the safety water supply hose to your dishwasher, and then connect the other end of the hose to your water mains. Please ensure the black rubber seal is in place.
- After connecting the hose, turn on your water mains and check for leaks.
- Connect the dishwasher to the mains socket.



You may use a Y-adaptor (not included) for an additional water feed for another appliance, for example a washing machine. This is only applicable for cold water mains. A Y-adaptor is available from most DIY stores.

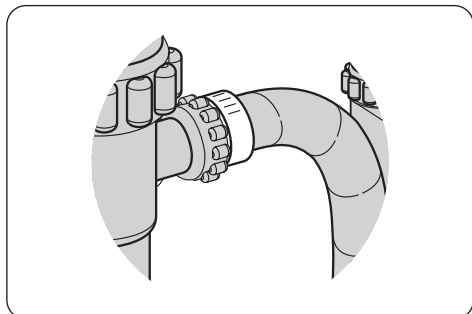
- Do not bend your drain hose.
- Do not lift the drain hose higher than 10 cm from the table top, otherwise the unit may not be able to expel the waste water properly.



- Secure the water drain hose to the waste pipe to avoid it coming off during the washing process.

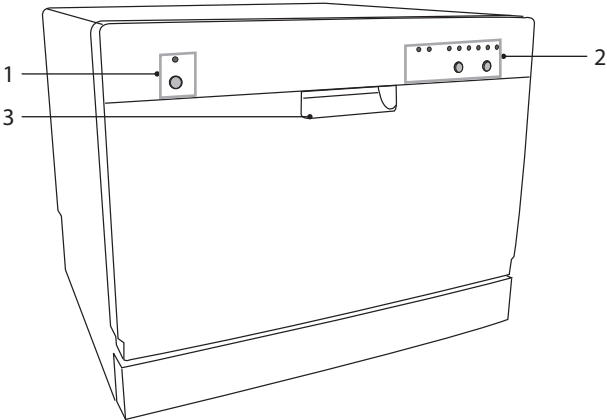


- The waste pipe must only be connected to the foul drains and not the surface water drainage system.
- The water drain hose should be placed lower than 10cm from the table top and must not be extended, otherwise the unit may not be able to expel the waste water properly.
- You may use the u-shaped drain hose holder to secure your drain hose and to avoid bending it.
- Please close the hydrant after use.



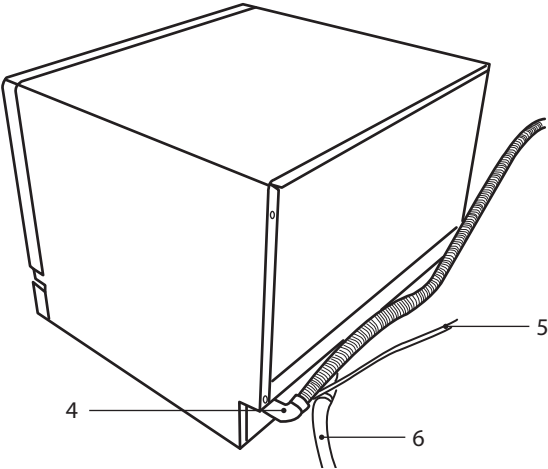
Product Overview

Front View



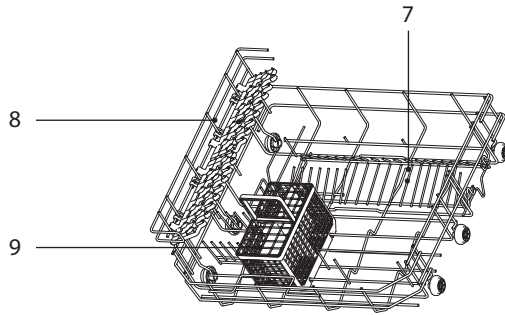
- 1. Power Button and Indicator Light
- 2. Control Panel
- 3. Door Handle

Rear View



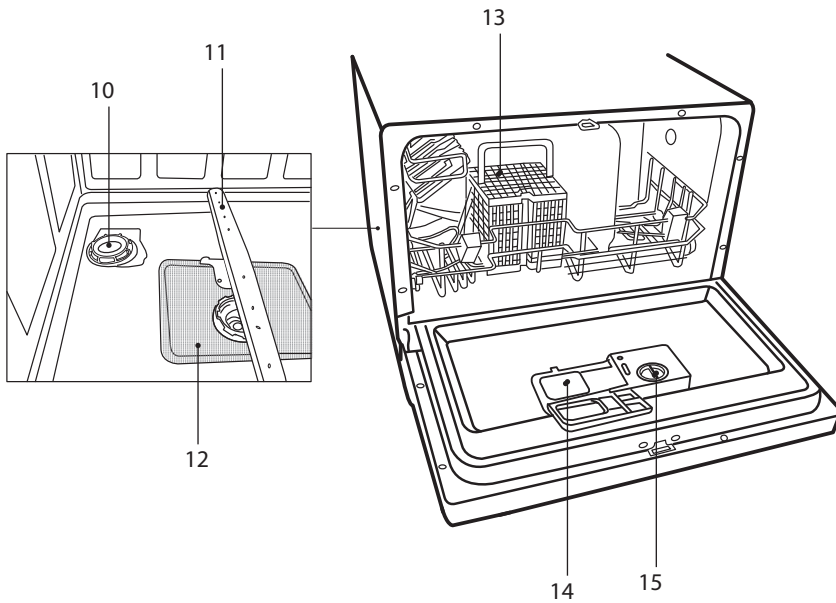
- 4. Drain hose
- 5. Mains Cable (Connect To Electrical Mains Socket)
- 6. Water Inlet (Connect To Supply Hose)

Dishwasher Basket and Cutlery Basket



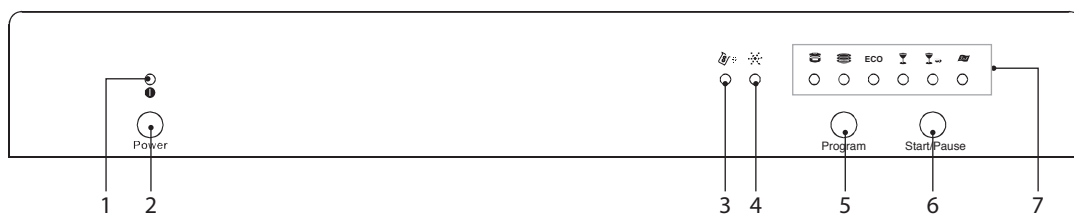
- 7. Spikes
- 8. Cup Racks
- 9. Cutlery Basket

Internal View



- 10. Salt Reservoir
- 11. Spray Arms
- 12. Filtering System
- 13. Cutlery Basket
- 14. Detergent Dispenser (Dual Compartment)
- 15. Rinse Aid Dispenser

Control Panel



1. Power Indicator

- The LED light will illuminate when the dishwasher is on.

2. On / Off Button

- Turn the dishwasher on and off.

3. Salt Refill Warning Light

- Illuminates when the salt reservoir needs refilling.

4. Rinse Aid Refill Warning Light

- Illuminates when the rinse aid dispenser needs refilling.

5. Programme Button

- Select your required washing programme.
- Each press of this button switches from one washing programme to another.

6. Start/Pause button

- Confirm and start the selected washing programme.
- Reset the washing programme.

7. Programme Indicators

- Illuminates when the washing programme has been selected.
- Flashes when the selected washing programme is running.

Before Operating

To Open the Door

- Pull the door handle.
- If the door is opened during operation, first open the door slightly to avoid water spillage.



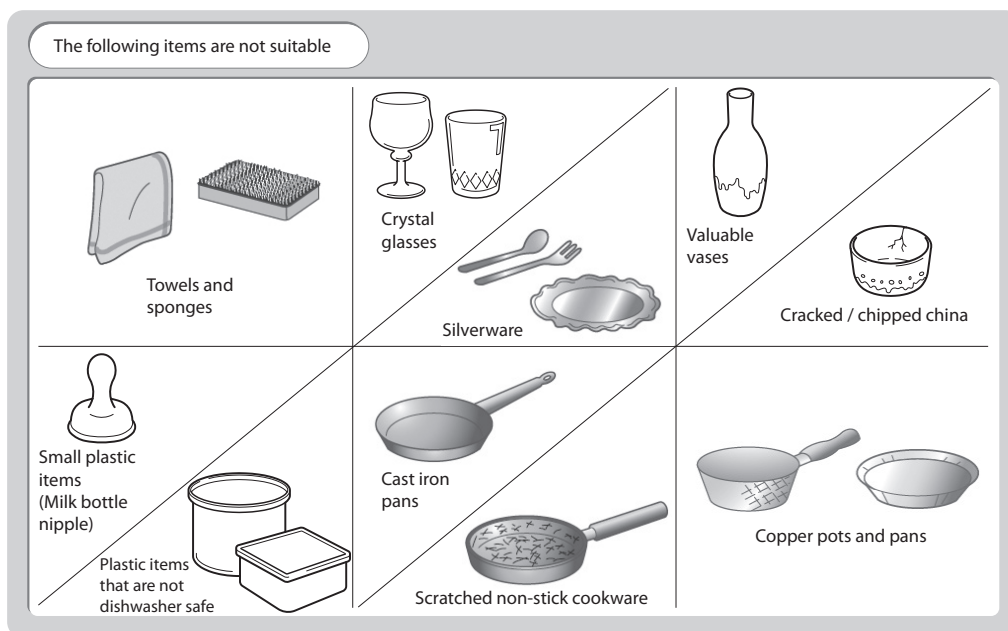
If the door is opened during operation, all functions are automatically interrupted.

To Close the Door

- After loading the dishes, push the baskets fully into the dishwasher.
- Lift the door upwards and push until it clicks into position.
- Do not slam the dishwasher door.

Items Not Suitable for Use in the Dishwasher

When purchasing new crockery and cutlery, please make sure they are dishwasher-proof. Some items are not suitable for dishwashers.



- Wooden cutlery and crockery or items with wooden parts may discolour and fade. The glue used in these items is not dishwasher-proof and wooden handles may come loose after being washed in a dishwasher.
- Craft items, antiques, valuable vases and decorative glassware are also not suitable for dishwashers.
- Plastic items (e.g. tupperware) which are not heat resistant may melt or lose shape due to the high temperature in the dishwasher.
- Copper, brass, tin and aluminium items may discolour or become matt.
- Clouding may occur on glasses and delicate glassware after frequent washing. Do not wash delicate glassware or glassware containing lead crystal, in a dishwasher. Wash delicate glassware by hand instead.
- Silver and aluminium parts have a tendency to discolour during washing. Residues like egg white, egg yolk and mustard often cause discolouring and staining on silver. Therefore, please clean the residues from silver immediately after use.

Adding Detergent or Detergent Tablet

Only use detergents specifically designed for use in dishwashers. To be more environmentally friendly, please use no more than the correct amount of detergent. Fill the detergent dispenser with detergent powder or tablet. See the detergent manufacturers instructions for the correct amount to use. If using tablets read the manufacturers recommendations on the tablet packaging in order to determine where the table should be placed (e.g. cutlery basket, detergent compartment etc).



Irritant



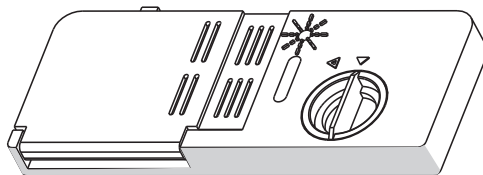
Bleach and
Countertop
detergent



- Keep detergents and bleaches out of the reach of children.
- Irritating to eyes.
- Avoid contact with eyes. In case of contact with eyes, rinse immediately with plenty of water and seek medical advice.
- If swallowed, seek medical advice immediately.

Please follow the steps below to fill the detergent dispenser.

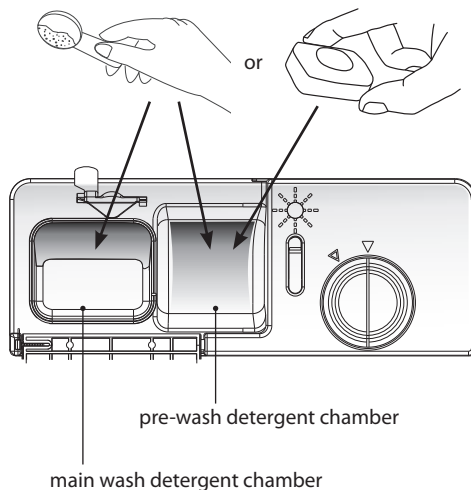
1. Push the button on the lid of the detergent dispenser in the direction of the arrow until the flap springs open.



2. Fill the detergent dispenser with detergent powder to both main wash detergent chamber and pre-wash detergent chamber, or insert the detergent tablet to the main detergent chamber. The marking indicates the filling level.



All programmes with pre-wash need an additional detergent dosage that must be placed in the pre-wash detergent chamber. If using tablets please check the detergent manufacturers instructions. Please refer to the wash cycle table. This detergent will take effect during the pre-wash phase.



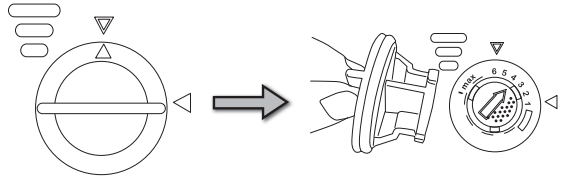
3. Close the lid firmly so that it clicks into place.

Adding Rinse Aid

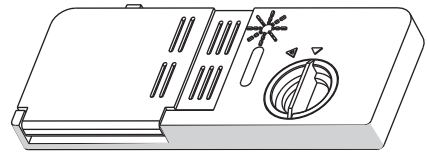
Rinse aid helps to ensure water does not cling and leave marks on crockery during the drying phase and helps crockery dry faster after it has been washed. Only pour rinse aid that is for domestic dishwashers into the reservoir. This model is designed to use liquid rinse aids only.

Please follow the steps below to pour the rinse aid into the storage reservoir, and the amount will dispense automatically.

1. Turn the cap and open as indicated.
2. When the cap open marking is aligned, you may lift the cap up.



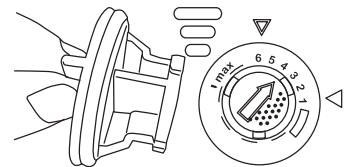
3. Pour the rinse aid in until the level indicator turns completely black in colour and close the cap.
4. Be careful not to overfill the reservoir. Wipe up any spills.



- If the water hardness in your area is soft, you may not need rinse aid as it may cause white film to develop on your dishes.
- If you decide to use a detergent tablet, you do not need to add rinse aid into the rinse aid reservoir.
- Rinse aid refill warning indicator will show on the LED display window when the reservoir is running out of rinse aid and requires refilling.
- Alternatively, you can judge the amount of rinse aid by checking the rinse aid indicator next to the reservoirs cap when the indicator is black, it means it is full. When it is clear, it means it is almost empty.

Adjusting the Rinse Aid Reservoir

The rinse aid reservoir has six settings. Both the recommended setting and the factory setting is "4". If the dishes are not drying properly or are spotted, adjust the dial to the next higher number until your dishes are spot-free.



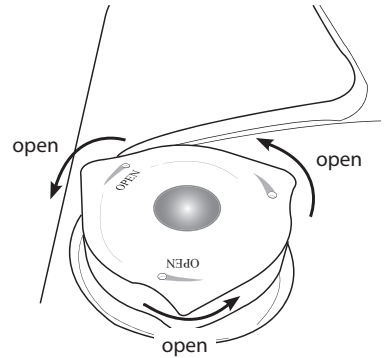
If there is some rinse aid residue left in the washing compartment or your dishes, turn the rinse aid dispenser dial to 1.

Adding Salt

If the water in your area is hard, deposits will form on your dishes and utensils. This appliance contains a salt reservoir for you to reduce the hardness of the water.

Please follow the steps below to pour the salt into the salt reservoir and it must be set to correspond to the water hardness level in your area.

1. Remove the lower basket and unscrew the reservoir cap.



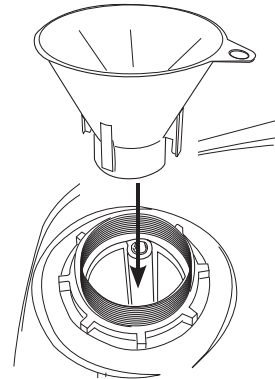
2. Fill the reservoir with approximately 500ml of water (first use only).

3. Place the funnel provided over the salt reservoir.

4. Pour in approximately 1.2kg of dishwasher salt depending on the brand used.

5. Clean any excess salt from around the reservoir opening and then screw the cap on again firmly.

6. Run the "eco" wash programme immediately (without any crockery in the dishwasher) to remove any traces of salt from the compartment.



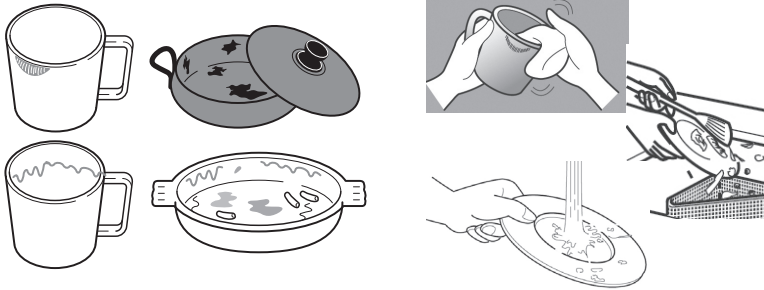
- The salt refill warning indicator will illuminate when the reservoir is running out of salt and requires refilling.
- The salt refill warning indicator will cease to illuminate within a few days, depending on how quickly the salt dissolves.
- If you decide to use a detergent tablet, you may not need to add salt, this depends upon the water hardness in your area and the type of tablet being used. Check with your water supplier and the detergent tablet manufacturer's instructions.

Loading the Dishwasher

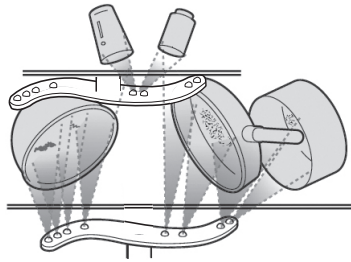
Before Loading the Dishwasher

In general, please observe the following notes before loading your cutlery and crockery into the basket.

- Remove lipstick stains and any food residues from crockery and dishes. Rinse if necessary.



- Dishes and cutlery must not lie inside one another, or cover each other.
- Load your cutlery and crockery so that water can access all surfaces.



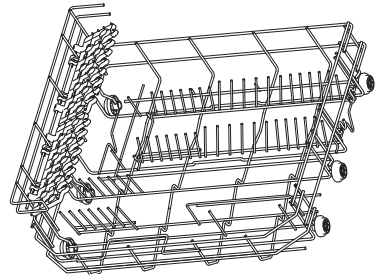
- Ensure all items are securely positioned.
- Hollow items such as cups, glasses, pans, etc. must be placed upside down in the basket.
- Wide based items should be placed at an angle so that water can run off them freely.
- The spray arms must not be blocked by items which are too tall or hang through the baskets. If in doubt, test for free movement by manually rotating the spray arms.
- Ensure that small items cannot fall through the holders in the baskets.



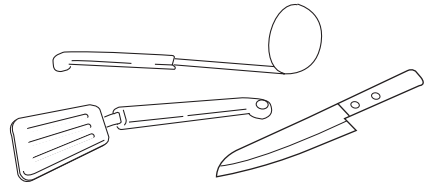
- For safety reasons, do not operate the dishwasher without the dishwasher basket in place.
- Do not wash items soiled with ash, sand, wax, lubricating grease or paint in the dishwasher. These items can damage the dishwasher. Ash does not dissolve and will be distributed in the dishwasher.

Dishwasher Basket

Please use the dishwasher basket for small and lightweight items such as cups, saucers, glasses, dessert bowls, etc.

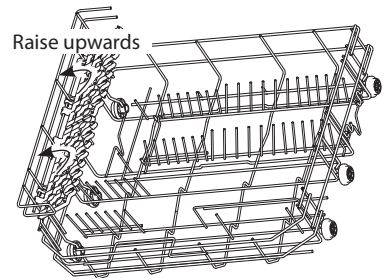


Long items such as soup ladles, mixing spoons and long knives should be placed lying down across the front of the upper basket.



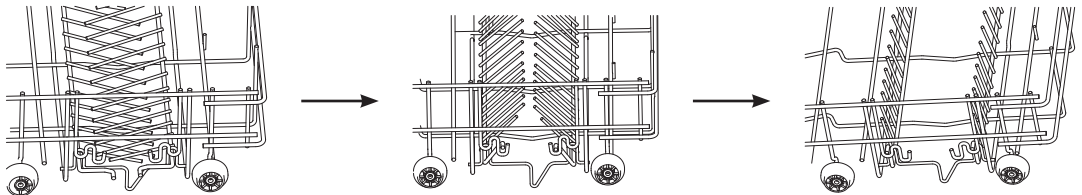
Hinged Cup Rack

To make room for taller items in the dishwasher basket, raise the cup rack upwards. You can then lean the tall glasses against it. You can also remove it when it is not required for use.



Hinged Spikes

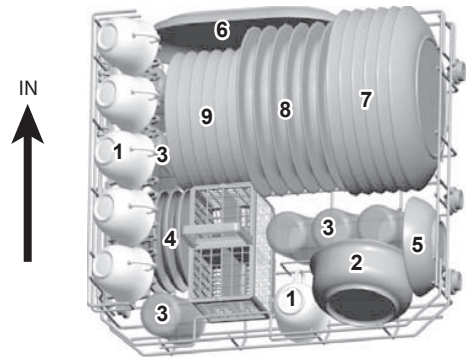
The spikes are used for holding plates and a platter. They can be lowered to make more room for large items. Please refer below for the steps to open up the spikes.



Loading the Dishwasher Basket for 6 Place Settings

For optimum placement of crockery in the basket, please refer to the below table and image.

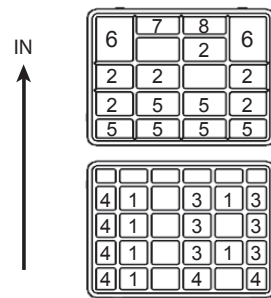
Number	Item
1	Cups
2	Medium serving bowl
3	Glasses
4	Saucers
5	Dish
6	Oval platter
7	Dinner plates
8	Soup plates
9	Dessert dishes
10	Cutlery basket



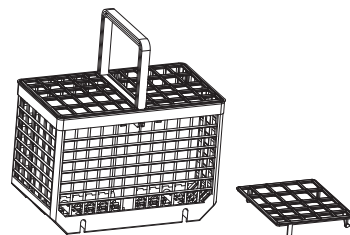
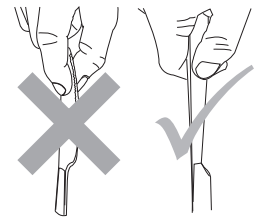
Cutlery Basket

To make unloading much easier, cutlery should be grouped in zones and placed in the cutlery basket. Please refer to the table below for the optimum placement of cutlery.

Number	Item
1	Forks
2	Soup spoons
3	Dessert spoons
4	Teaspoons
5	Knives
6	Serving spoons
7	Gravy ladle
8	Serving fork



- Do not let any items extend through the bottom of baskets.
- To avoid the risk of injury, please load your knives and forks with handles upwards. Do not hold them by their sharp edges.
- The cutlery basket comes with covers, and they are designed for you to load the cutlery into the appropriate slots. If you use the basket without the cover, it may reduce the washing results of your cutlery.
- Please ensure the covers are securely locked to the basket before operation.
- To comply with Standards of Performance, i.e. EN50242, all cutlery must be loaded according to the instructions in this manual.



Operation

Starting a Wash Cycle

1. Ensure the unit is connected to the mains power and the water supply is fully opened (water pressure between 0.04MPa and 1.00MPa).
2. Open the door. Pull out the dishwasher basket, load the dishes and push the basket back.
3. Pour in the detergent or place the detergent tablet in the detergent compartment and close firmly afterwards.
4. Close the dishwasher door. A click sound should be heard when the door is closed correctly. Do not slam the door.
5. Press the **On/Off** button.
6. Select the wash cycle programme based on the loading and soil requirements. Please refer to the section **Wash Cycle Table**.
7. The programme indicator will light up for the selected programme.
8. Press the **Start/Pause** button, the washing cycle will begin shortly and the programme indicator will flash.



If you open the dishwasher's door during the washing cycle and then close it, the dishwasher will continue the current washing programme after 10 seconds. However, if the door is not closed correctly after 1 minute, the dishwasher will beep at 1 minute intervals.

Changing a Programme

To change the programme if the washing cycle has already started, follow the steps below.

1. Open the door slightly to avoid water spillage before opening the door fully. Check if the unit has dispensed the detergent or detergent tablet. This will depend on how long the washing cycle was running for.
2. If the detergent dispenser lid is opened, we suggest you to allow the wash cycle to complete.
3. If the detergent dispenser lid is still closed, press the **On/Off** button to pause the washing. You can then close the dishwasher door and press the **On/Off** button again. Then, press the required new programme button and confirm the selection by pressing the **Start/Pause** button. The unit will start the new washing cycle shortly.

At the End of a Programme

At the end of a programme, the dishwasher will beep.

Switching Off the Unit

To save energy, remember to switch the dishwasher off using the **ON/OFF** button. The dishwasher will continue to use electricity until it is switched off with the **ON/OFF** button.




If the dishwasher is not going to be used for a long period of time, e.g. whilst on holiday, disconnect the unit from the mains supply.

Unloading the Dishwasher

Allowing dishes to cool down before unloading is important as dishes tend to break and chip more easily when they are hot. Therefore, if you open the dishwasher door fully after switching off, it will allow the dishes to cool down much faster.

Wash Cycle Table

Programme	Cycle Selection Information	Process	Detergent Amount (Pre-wash/ Main wash)	Running Time (min.)	Energy Consumption (Kwh)	Water Consumption (l)	Rinse Aid
 Intensive	• For heaviest soiled crockery, and normally soiled pots, pans, dishes etc with dried on soiling.	• Pre-wash (50°C) • Wash (70°C) • Rinse • Rinse • Rinse (70°C) • Drying	• Pre-wash (3g) • Main Wash (15g) OR • 3 in 1	145	0.94	11.0	✓
 Normal	• For normally soiled loads, such as pots, plates, glasses and lightly soiled pans.	• Pre-wash • Wash (60°C) • Rinse • Rinse (70°C) • Drying	• Pre-wash (3g) • Main Wash (15g) OR • 3 in 1	125	0.70	8.4	✓
ECO Economy* (EN50242)	• This is Standard programme, it is suitable to clean normally soiled tableware and it is the most efficient programme in terms of its combined energy and water consumption for that type of tableware.	• Pre-wash • Wash (50°C) • Rinse • Rinse (70°C) • Drying	• Pre-wash (3g) • Main Wash (15g) OR • 3 in 1	170	0.61	7.0	✓
 Glass	• For lightly soiled crockery and glass	• Wash (45°C) • Rinse • Rinse (60°C) • Drying	• Main Wash (15g)	75	0.48	6.8	✓
 Rapid	• A shorter wash for lightly soiled loads and quick wash	• Wash (40°C) • Rinse • Rinse	• Main Wash (15g)	30	0.30	6.0	✗
 3-in-1	• For normally soiled loads, use multifunctional detergent	• Pre-wash • Wash (60°C) • Rinse • Rinse (70°C) • Drying	• Use 3 in 1 detergent tablet only.	140	0.70	8.4	✗

* To comply with Standards of Performance, i.e. EN50242, please ensure you use the economy washing cycle for the test.



Condensing dry technology

- Energy is saved by drying the dishes using the remaining heat after the last rinse cycle.
- Wash cycle times are extended due to this drying method.
- Some wash programmes do not have a drying function, please refer to the Wash Cycle Table for more details.

Cleaning After Use

External Care

The Door and the Door Seal

- Clean the door seals regularly with a soft damp cloth to remove food deposits.
- When the dishwasher is being loaded, food and drink residues may drip onto the sides of the dishwasher door. These surfaces are outside the wash cabinet and are not accessed by water from the spray arms. Any deposits should be wiped off before the door is closed.

The Control Panel

If cleaning is required, the control panel should be wiped with a soft damp cloth **ONLY**.



- To avoid penetration of water into the door lock and electrical components, do not use a spray cleaner of any kind.
- Never use abrasive cleaners or scouring pads on the outer surfaces because they may scratch the finish. Some paper towels may also scratch or leave marks on the surface.

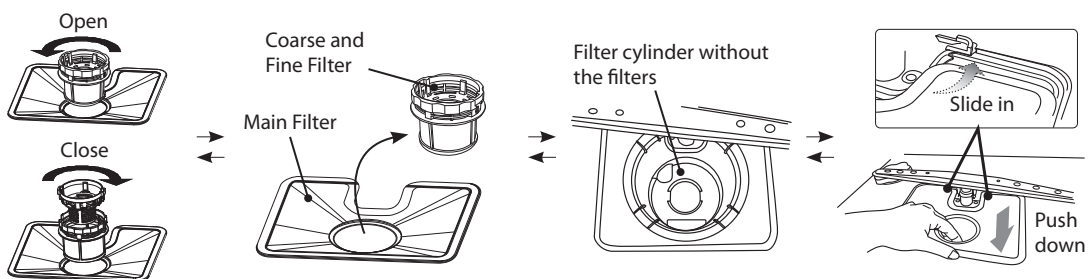
Internal Care

Filtering System

The filtering system in the base of the wash cabinet retains coarse debris from the washing cycle. The collected coarse debris may cause the filters to clog. Check the condition of the filters regularly and clean them if necessary under running water.

Follow the steps below to clean the filters in the wash cabinet.

1. Ensure the dishwasher is switched off.
2. Unscrew the coarse and fine filter and gently lift the filters out.
3. Unscrew the fine filter and gently lift with care.
4. Gently slide and lift the main filter out.
5. Rinse all the filters under running water, and then refit all filters in the following order.
6. Gently refit the main filter back with care.
7. Gently screw the coarse and fine filter back in, in a clockwise direction.

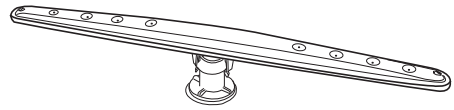


- Do not over tighten the filters. Put the filters back in the filter cylinder in sequence securely, otherwise coarse debris could get into the system and cause a blockage.
- **NEVER** use the dishwasher without the filters in place. Improper replacement of the filters may reduce the performance level of the appliance and damage dishes and utensils.

Spray Arms

Particles of food can get stuck in the spray arm jets and bearings. The spray arms should therefore be checked and cleaned regularly.

Ensure the dishwasher is switched off. Use a pointed object, e.g. a cocktail stick, to loosen food particles in the spray arms' jets.



Frost Precaution

Avoid placing the dishwasher in a location where the temperature can get below 0°C. If your appliance is left in an unheated place over the winter, you are advised to:

1. Disconnect the unit from the water inlet.
2. Turn on the unit. Select any washing cycle and let it run for 1 minute only. This drains out all the excessive water that remains in the unit.
3. Disconnect from the mains socket.
4. Empty the dishwasher.
5. Close the dishwasher's door.
6. Disconnect the unit from the water drain. Use a suitable receptacle to catch any residual water in the pipes.

Should you encounter any difficulties with the above steps, please ask a service technician for assistance.

Moving the Dishwasher

If you have to move the unit, for instance due to moving house, you are advised to:

1. Disconnect the dishwasher from the mains.
2. Disconnect the dishwasher from the water inlet and drain. Use a suitable receptacle to catch any residual water in the pipes.
3. Remove the dishwasher from the current location with the hoses discharged.
4. Pull the unit out together with the hoses.



- Avoid over tilting the unit during transportation.
- We recommend that 2 people handle the dishwasher during installation.

Maintenance After a Prolonged Period of Non-Operation

If you are not going to use the unit for a prolonged period of time, you are advised to:

1. Disconnect the dishwasher from the mains.
2. Disconnect the dishwasher from the water inlet and drain. Use a suitable receptacle to catch any residual water in the pipes.
3. Slightly open the door to prevent unpleasant smells building up in the compartment.
4. Ensure the washing compartment of the dishwasher is clean.

Hints and Tips



Repairs should only be carried out by a qualified technician in strict accordance with current local and national safety regulations. Unauthorised or incorrect repairs could cause personal injury or damage to the unit.

Before calling for service, please refer to the “**Technical Problems**” and “**General Problems**” sections to solve some general problems by yourself.

Technical Problems

Problem	Possible Causes	Remedy
The dishwasher does not start.	The door is not properly closed.	Close the door firmly.
	The unit is not connected to the mains socket.	Connect the mains plug to the mains socket.
	The unit is not switched on.	Press the On/Off button and select a programme.
3 in 1 program light is blinking	Water tap is not turned on.	Turn on the water tap.
	Low water pressure (<0.04MPa)	Turn on the water tap and ensure it is in full position.
	Flow meter is broken. The wire terminals which connect the flow meter are loose.	<ul style="list-style-type: none"> • Disconnect from the mains. • Disconnect the water inlet. • Call a qualified technician.
Glass program light is blinking	The float switch is broken or PCB is faulty.	
	The wire terminal connected to the float switch is loose or broken.	
The drain pump is not working properly.	The anti-flooding system has operated.	<ul style="list-style-type: none"> • Disconnect from the mains. • Disconnect the water inlet. • Call a qualified technician.

General Problems

Problem	Possible Causes	Remedy
Detergent residue is left in the dispenser at the end of the programme.	The detergent dispenser was still damp when detergent was added.	Make sure the dispenser is dry before adding detergent.
The detergent dispenser lid cannot be closed properly.	Clogged detergent residue is blocking the catch.	Clean the catch.
Knocking noise in the wash cabinet.	A spray arm is knocking against an item in a basket.	Interrupt the programme, and rearrange the items which are obstructing the spray arm. See the section "Loading the Dishwasher".
Smearing appears on glassware and cutlery.	The rinse aid dosage is set too high.	Adjust the dial of the rinse aid dispenser to a lower setting.
Dishes, cutlery and glasses are not dry.	The amount of rinse aid may be insufficient, or the rinse aid reservoir is almost empty.	Replenish the reservoir, adjust the rinse aid dispenser dial to a higher setting or change the brand of rinse aid.
	Crockery was taken out of the dishwasher too soon.	Leave the crockery in the dishwasher until you hear an audible sound.
White residue is visible on cutlery and crockery, clouding occurs on glassware; film can be wiped off.	Not enough rinse aid was used.	Replenish the reservoir, adjust the rinse aid dispenser dial to a higher setting or change the brand of rinse aid.
	There is not enough salt in the salt reservoir.	Fill the salt reservoir.
	The salt reservoir cap has not been screwed on correctly.	Ensure that it is screwed back on correctly.
	Unsuitable detergent has been used.	Change your detergent. Use a dishwasher standard powder detergent.
	The salt consumption setting is too low.	Select a higher salt consumption setting.
Glassware is dull and discoloured; film cannot be wiped off.	The glassware is not dishwasher proof. The surfaces are affected.	Wash the non-dishwasher proof glassware by hand.
Tea or lipstick stains have not been completely removed.	The wash temperature of the selected programme was too low.	Select a programme with a higher wash temperature.
	The bleaching effect of the detergent used is too low.	Change your detergent.
	Forgot to pre-rinse or remove the stains with a napkin prior to washing.	Pre-rinse or remove the stains with a napkin prior to washing.

Disposal of the Dishwasher

- When disposing of your old dishwasher, first make it unusable. Disconnect from the electricity and water supplies, cut off the cable and the plug from the mains cable. Make the door lock inoperative, so that children cannot accidentally shut themselves in. Make appropriate arrangements for the disposal of the dishwasher.
- At the end of its working life, the product must not be disposed of as urban waste. It must be taken to a local authority waste collection centre or to a dealer providing this service. Disposing of a household appliance separately avoids possible negative consequences for the environment and health deriving from an inappropriate disposal and enables the constituent materials to be recovered to obtain significant savings in energy and resources. As a reminder of the need to dispose of household appliances separately, the product is marked with a crossed-out wheeled dustbin.
- Please ensure that it presents no danger to children while being stored for disposal.

Disposal of Packing Material

Please dispose of the plastic wrappings and bags safely and keep out of the reach of babies and young children.

Specifications

Model	CDWTT13
Dimensions	550mm(W) x 500mm(D) x 438mm(H)
Capacity	6 Place Settings
Water Pressure Required	0.04 - 1.00MPa
Power Consumption	1280W
Rated Voltage	230V~50Hz
Off Mode Power Consumption	0.49W
Left-on Mode Power Consumption	0.49W
Energy Efficiency Class ①	A+
Annual Energy Consumption ②	174 kWh
Energy Consumption of the Standard Cleaning Cycle	0.61 kWh
Annual Water Consumption ②	1960 litres
Drying Efficiency Class ③	A
Standard Cleaning Cycle ④	ECO 50°C
Program Duration of the Standard Cleaning Cycle	170 min
Noise Level	55 dB(A) re 1 pW
Mounting	Free standing
Could be built-in	Yes

Features and specifications are subject to change without prior notice.

Note:

- ① A + + + (highest efficiency) to D (lowest efficiency)
 - ② Based on 280 standard cleaning cycles using cold water fill and the consumption of the low power modes. Actual energy consumption will depend on how the appliance is used.
 - ③ A (most efficient) to G (least efficient)
 - ④ This is the programme used for the Energy label information and is suitable for cleaning normally soiled tableware. It is the most efficient programme in terms of its combined energy and water consumption for that type of tableware.
- The device meets the European standards and the directives in the current version at delivery:
 - LVD 2006/95/EC
 - EMC2004/108/EC
 - ERP 2009/125/EC
 - The above values have been measured in accordance with standards under specified operating conditions. Results may vary greatly according to quantity and pollution of the dishes, water hardness, amount of detergent, etc.



For general information about this appliance
and handy hints and tips, please visit
www.knowhow.com/knowledgebank or call **0344 5611234**.



Visit Partmaster.co.uk today for the easiest way to buy electrical spares and accessories. With over 1 million spares and accessories available we can deliver direct to your door the very next day. Visit www.partmaster.co.uk or call 0344 800 3456 (UK customers only) Calls charged at National Rate.



This symbol on the product or in the instructions means that your electrical and electronic equipment should be disposed at the end of its life separately from your household waste. There are separate collection systems for recycling in the EU. For more information, please contact the local authority or your retailer where you purchased the product.

DSG Retail Ltd. (co. no. 504877)
Maylands Avenue, Hemel Hempstead, Herts., HP2 7TG, UK.

IB-CDWTT13-140731V3