

currys essentials

TABLETOP DISHWASHER

INSTRUCTION MANUAL
CDWTT10



Contents

Unpacking.....	3
Product Overview.....	4
Internal View.....	4
Rear View.....	4
Control Overview.....	5
Installation.....	6
Location.....	6
Before Operating.....	6
To open te door.....	6
To close the door.....	6
Adding the Detergent Powder.....	7
Adding the Detergent Tablet for 3 in 1 Programme.....	7
Adjusting Rinse Aid.....	8
Adjusting Rinse Aid Reservoir.....	8
Adding of Salt.....	9
Loading the Dishwasher.....	10
Before loading the dishwasher.....	10
Dishwasher Basket.....	10
Hinged Cup Rack.....	11
Loading the Basket for 4 Place Settings.....	11
Cutlery Basket.....	11
Wash Cycle Table.....	12
Starting a Wash Cycle.....	13
At the End of a Programme.....	13
Switching off the Dishwasher.....	13
Unloading the Dishwasher.....	13
Delay Start.....	14
Cleaning After Use.....	14
External Care.....	14
Internal Care.....	15
Maintenance After Prolonged Period of Non-Operation.....	16
Moving the Dishwasher.....	16
Helpful Tips and Guides.....	17
Fault Code.....	17
Technical Problems.....	18
Specification.....	20
Safety Warnings.....	21
Disposal of Dishwasher.....	23
Disposal of Packing Material.....	23

Congratulations

on the purchase of your new Currys Essentials Dishwasher.

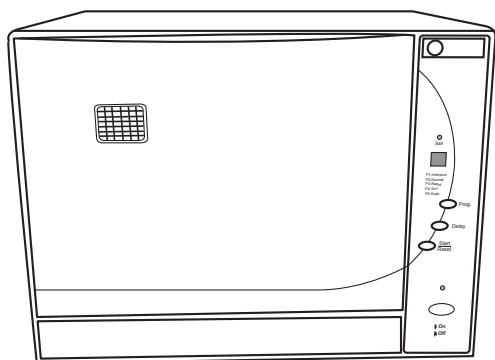
We recommend that you spend some time to read this Instruction Manual in order to fully understand how to install and operate it.

Read all the safety instructions carefully before use and keep this instruction manual for future reference.

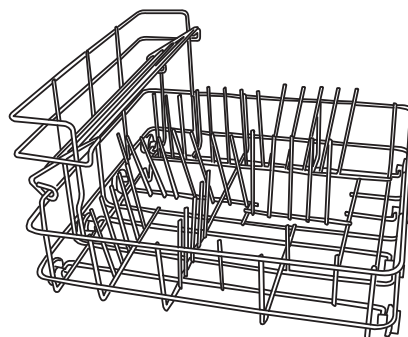
Unpacking

Remove all packaging from the dishwasher. Retain the packaging. If you dispose of it please do so according to local regulations.

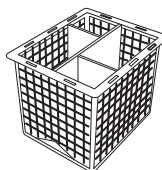
The following items are included:



The Main Unit - Front View




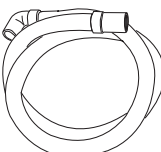
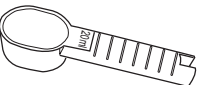




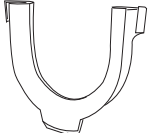

Dishwasher Basket x 1



Cutlery Basket x 1
P.N.: 673006200010

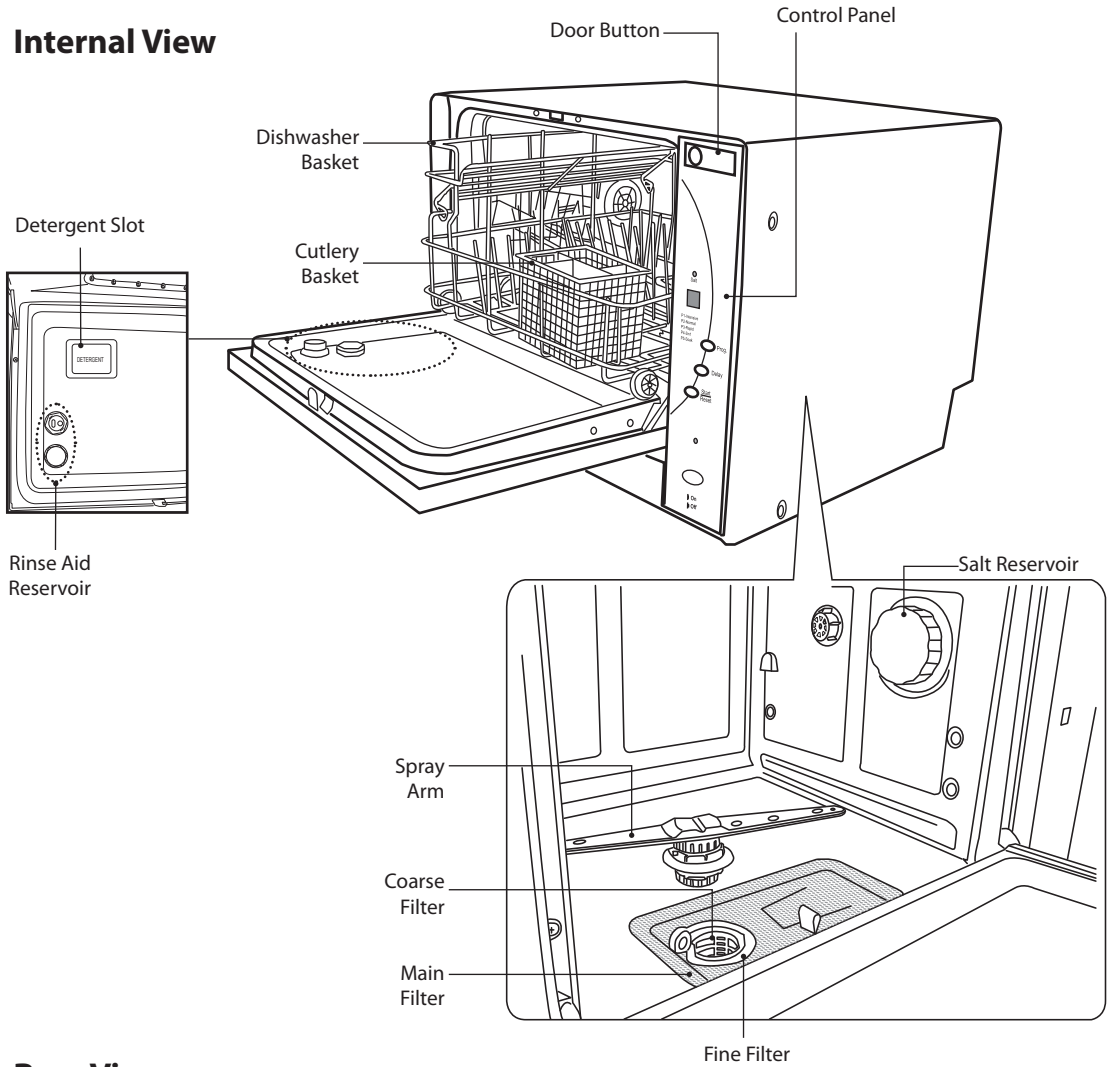


- This product has been wet tested to ensure correct operation. As a result some water may remain inside the unit. This is normal and safe. Remove any water droplets from the exterior if necessary.

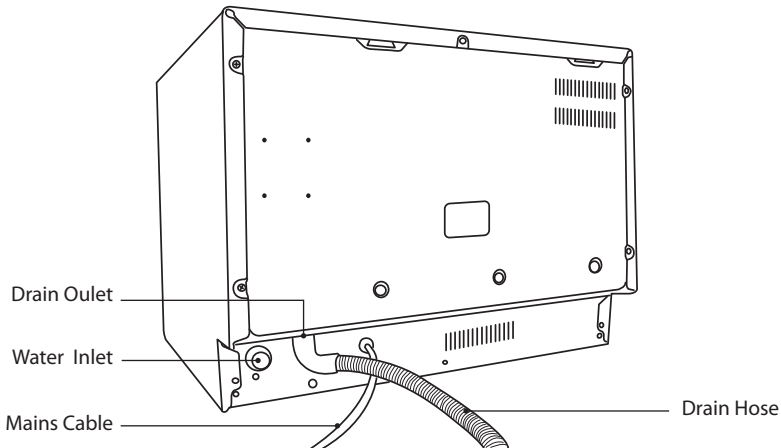
Accessories			
 Water supply hose X 1 part number 673005400045	 Drain Hose X 1 part number 673005400041	 Detergent measuring spoon x 1 1 full spoon = 20g (approx.) part number 673002200079	 Coarse Filter X 1 part number 673006400065  Fine Filter X 1 part number 672005300010
 Measuring cup X 1 60ml (approx) part number 673006200004	 Detergent tablet basket X 1 part number 673002200046	 U-shape hose holder X 1 part number 673006200003	 Instruction manual X 1 part number 675005900973

Product Overview

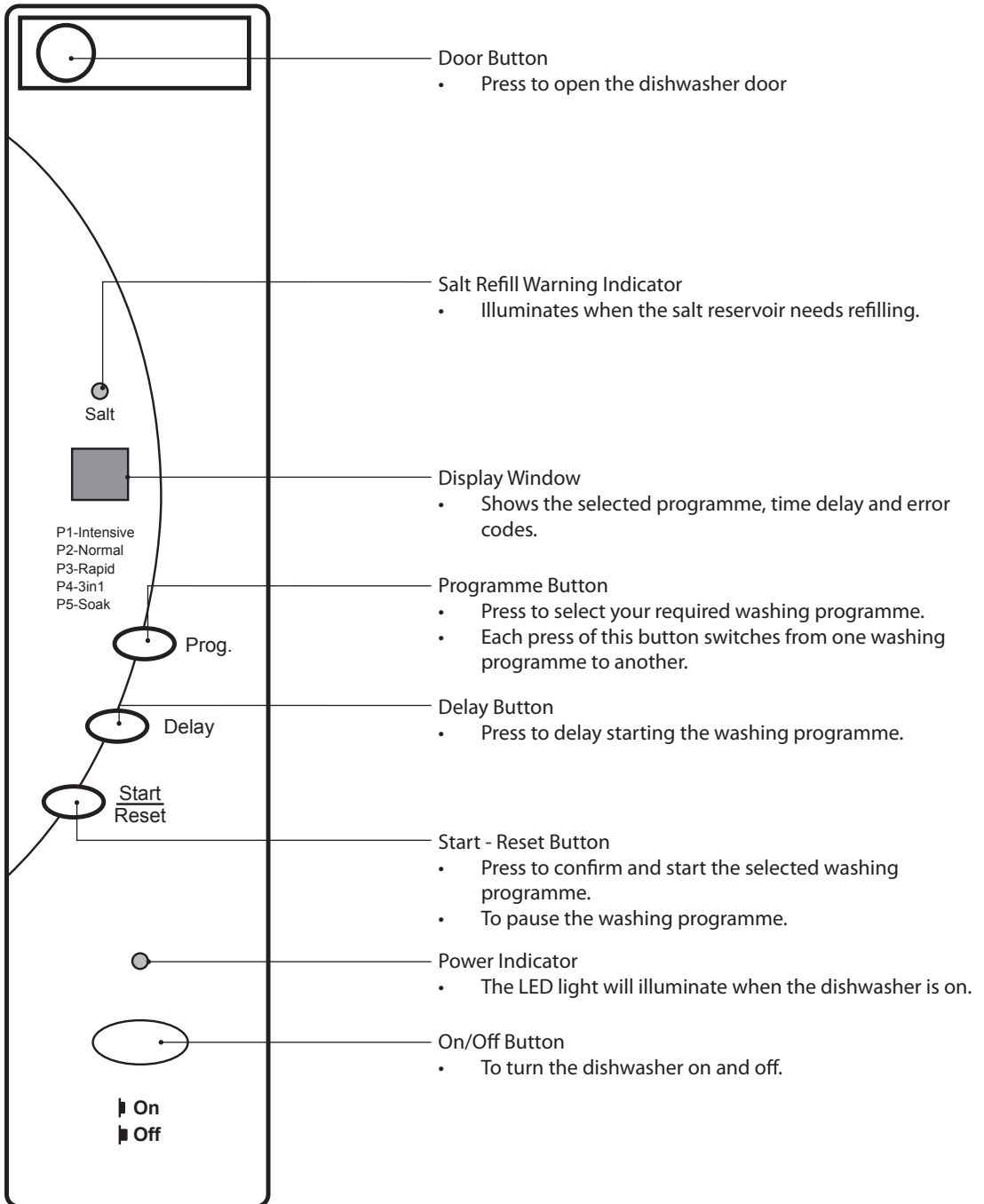
Internal View



Rear View



Control Panel Overview



Installation

Location

When selecting a position for your table top dishwasher you should make sure the installation surface is flat and firm, and the room is well ventilated. Avoid locating your dishwasher near a heat source, eg. cooker, boiler or radiator. Extreme cold ambient temperatures may also cause the appliance not to perform properly. This dishwasher is not designed for use in a garage or outdoor installation.

Do not drape the dishwasher with any covering. When installing, ensure that free space is left at the sides. **Please refer to the separate Installation Guide for detail installation requirements and process.**



- We recommend that you contact a qualified technician for the installation. You should only try to install the dishwasher yourself if you believe that you are qualified to do so.
- All parts removed must be saved to do the reinstallation in the future. Ensure the dishwasher is unplugged and empty. We recommend that 2 people handle the dishwasher during assembly.

Before Operating

To open the door

- Press the door button to open the door.
- If the door is opened during operation, all functions are automatically interrupted.

To close the door

- After loading the dishes, push the baskets fully into the dishwasher.
- Lift the door upwards and push until it clicks into position.
- Do not slam the dishwasher door.



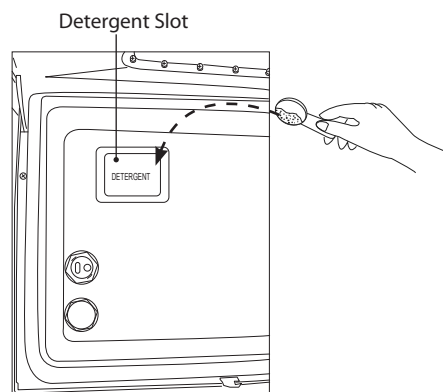
- When purchasing new crockery and cutlery, please make sure they are dishwasher-proof. Some items are not suitable for dishwashers, for examples:
 - Wooden cutlery and crockery or items with wooden parts may discolour and fade. The glue used in these items is not dishwasher-proof either, and the wooden handles may come loose after being washed in a dishwasher.
 - Craft items, antiques, valuables vases and decorative glassware are also not suitable for dishwashers.
 - Plastic items (e.g. tupperware) which are not heat resistant may melt or lose shape due to the high temperatures in the dishwasher.
 - Copper, brass, tin and aluminium items may discolour or become matt.



- Clouding may occur on glasses and delicate glassware after frequent washing. Do not wash delicate glassware, or glassware containing lead crystal in a dishwasher. Please wash delicate glassware by hand instead.
- Silver and aluminium parts have a tendency to discolour during washing. Residues like egg white, egg yolk and mustard often cause discolouring and staining on silver. Therefore, please clean the residues from silver immediately after use.

Adding the Detergent Powder

Only use detergents specifically designed for use in dishwashers. To be more environmentally friendly, please use no more than the correct amount of detergent. Fill the detergent slot with detergent powder. The detergent slot can hold approximately 12g of detergent. Follow the detergent manufacturer's guidelines for the appropriate amount.



- In general, you will require to add more detergent if the water in your area is hard. In contrast, you will require to add less detergent if the water in your area is soft.

Adding the Detergent Tablet for 3 in 1 Programme

Your dishwasher has a 3 in 1 washing programme, which does not need salt nor rinse aid, but a 3 in 1 detergent tablet. A 3 in 1 tablet basket comes along as an accessory to allow you to put the tablet in.



- 3 in 1 detergent tablet allows to use in 3 in 1 washing programme. If you use it in other programmes, the dishwasher will not reach its best cleaning performance.

1. Place the 3 in 1 detergent tablet into the 3 in 1 tablet basket.
2. Hang the 3 in 1 tablet basket onto the front of the dishwasher basket.



Irritant



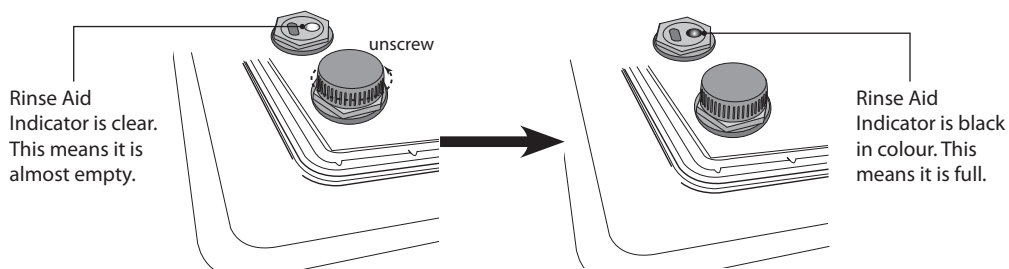
- **WARNING!** Keep out of the reach of children.
- Irritating to eyes. Avoid contact with eyes.
- In case of contact with eyes, rinse immediately with plenty of water and seek medical advice.
- If swallowed, seek medical advice immediately.

Adding of Rinse Aid

Rinse aid helps to ensure water does not cling and leave marks on crockery during the drying phase and helps crockery dry faster after it has been washed. Only pour rinse aid that is for domestic dishwashers into the reservoir. This model is designed to use liquid rinse aid only.

Please follow the steps below to pour the rinse aid into the storage reservoir, and the amount will dispense automatically.

1. Turn the cap and open.
2. Pour the rinse aid until the rinse aid indicator turns completely black in colour and close the cap.
3. Be careful not to overfill the reservoir. Wipe up any spills.

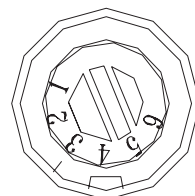


Adjusting Rinse Aid Reservoir

The rinse aid reservoir has six settings. Both the recommended setting and the factory setting is "3". If the dishes are not drying properly or are spotted, adjust the dial to the next higher number until your dishes are spot-free.



- If the water hardness in your area is soft, you may not need rinse aid as it may cause white film to develop on your dishes.
- If there are some rinse aid residue left in the washing compartment or your dishes, please turn the rinse aid dispenser dial to 1.
- If you select to use 3 in 1 washing programme, you do not need to add rinse aid into the rinse aid reservoir.

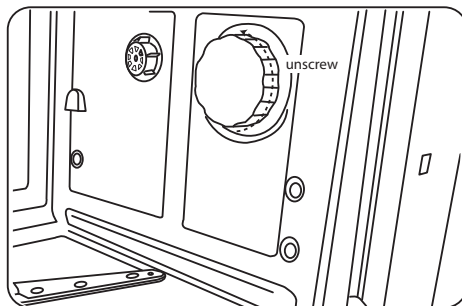


Adding of Salt

If the water in your area is hard, deposits will form on your dishes and utensils. As such, this appliance contains a salt reservoir for you to reduce the hardness of the water.

Please follow the steps below to pour the salt into the salt reservoir and to correspond to the water hardness level in your area.

1. Remove the dishwasher basket and unscrew the reservoir cap.
2. Fill the reservoir with approximately 500ml of water (first use only).
3. Pour in approximately 250g of dishwasher salt depending on the brand used.
4. Clean any excess salt from around the reservoir opening and then screw the cap on again firmly.
5. Run the "Rapid" wash programme immediately (without any crockery in the dishwasher) to remove any traces of salt from the compartment.



- The salt refill warning indicator on the control panel will illuminate when the reservoir is running out of salt and requires refilling.
- The salt refill warning indicator will cease to illuminate within a few days, depending on how quickly the salt dissolves.

Loading the Dishwasher

Before loading the dishwasher

In general, please observe the following notes before loading your cutlery and crockery in the basket.



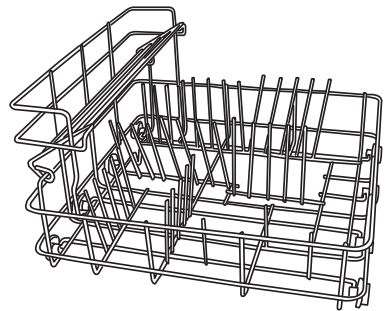
- Remove lipstick stains and any food residues from crockery and dishes. Rinse if necessary.
- Dishes and cutlery must not lay inside one another or cover each other.
- Loading your cutlery and crockery so that water can access all surfaces.
- Ensure all items are securely positioned.
- Hollow items such as cups, glasses, pans, etc. must be placed upside down in the basket.
- Wide based items should be placed at an angle so that water can run off them freely. The spray arms must not be blocked by items which are too tall or hang through the baskets. If in doubt, test for free movement by manually rotating the spray arm.
- Ensure that small items cannot fall through the holders in the basket.
- **CAUTION:** Do not wash items soiled with ash, sand, wax, lubricating grease or paint in the dishwasher. These items can cause damage to the dishwasher. Ash does not dissolve and can distribute in the dishwasher.



- For safety reasons, do not operate the dishwasher without the dishwasher basket in place.

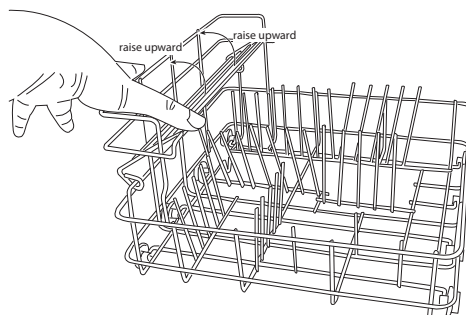
Dishwasher Basket

We recommend using the dishwasher basket for small and lightweight items such as cups saucers, glasses, dessert bowls, etc. Shallow pans or casserole dishes can also be placed in the dishwasher basket. Long items such as soup ladles, mixing spoons and long knives should be placed lying down across the front of the dishwasher basket.



Hinged Cup Rack

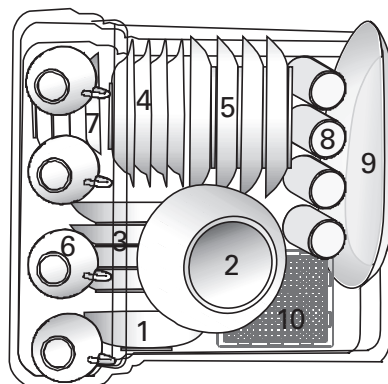
To make room for taller items in the dishwasher basket, raise the cup rack upwards. You can lean the tall glasses against it. You can also remove it when it is not required for use.



Loading the Basket for 4 Place Settings

For placement method of the dishwasher basket, please refer to the list below.

1. Dishes (x4)
2. Medium serving bowl (x1)
3. Dessert Plate (x1)
4. Soup plates (x4)
5. Dinner plates (x4)
6. Cups (x4)
7. Saucers (x4)
8. Glasses (x4)
9. Oval Platter (x1)
10. Cutlery Basket (x1)



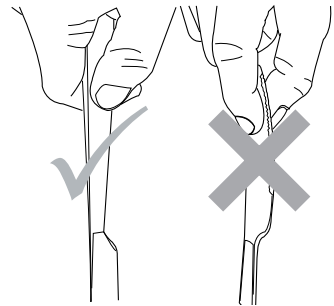
Cutlery Basket

To make unloading much easier, cutlery should be placed in the cutlery basket evenly. Please refer to the list below.

1. Forks (x4)
2. Soup spoons (x4)
3. Dessert spoons (x4)
4. Teaspoons (x4)
5. Knives (x4)
6. Serving Spoons (x2)
7. Gravy ladle (x1)
8. Serving forks (x2)



- Do not let any items extend through the bottom of baskets.
- To avoid the risk of injury, please load your knives and forks with handles upwards. Do not hold them by their sharp edges.



Wash Cycle Table

Programme	Cycle Selection information	Process	Detergent	Running Time (min.)	Energy Consumption (Kwh)	Water Consumption (l)	Rinse Aid
P-1 Intensive	Pots, utensils and cutlery. Highly soiled.	<ul style="list-style-type: none"> • Wash (54°C) • Rinse • Rinse (69 °C) 	• main wash (12g)	125	0.65	10.4	○
P-2 Normal* (EN50242)	Pots, utensils and cutlery. Normally soiled.	<ul style="list-style-type: none"> • Wash (52°C) • Rinse • Rinse (67 °C) 	• main wash (12g)	130	0.61	10.4	○
P-3 Rapid	Pots, utensils and cutlery. Lightly soiled.	<ul style="list-style-type: none"> • Wash (49°C) • Rinse • Rinse (55 °C) 	• main wash (12g)	70	0.41	9.6	○
P-4 3 in 1	Utensils and cutlery. Normally soiled.	<ul style="list-style-type: none"> • Wash (54°C) • Rinse • Rinse (69 °C) 	• 3 in 1	120	0.62	10.4	✗
P-5 Soak	Glasses and cups. Lightly soiled.	<ul style="list-style-type: none"> • Wash • Rinse 	• n/a	12	0.01	5.4	✗

* To comply with Standards of Performance, i.e. EN50242, please ensure to use normal washing cycle for the test.

Starting a Wash Cycle

Please follow the steps below to start a wash cycle.

1. Ensure the unit is connected to the mains power and the water supply is fully opened (water pressure between 0.04MPa and 1.00MPa).
2. Open the door. Pull out the dishwasher basket, load the dishes and push the baskets back.
3. Pour in the detergent in the detergent slot or place the 3 in 1 detergent tablet in the detergent tablet basket.
4. Close the dishwasher door. Do not slam the door.
5. Press **On/Off** button.
6. Select the wash cycle programme based on the loading and soil requirements. Please refer to the “Wash Cycle Table” (page 12).
7. The power indicator light and the selected programme indicator light will illuminate.
8. Press the **Start/Reset** button and the washing cycle will begin shortly.



-
- If you open the dishwasher's door during the washing cycle and then close it, the dishwasher will continue the current washing programme after a few seconds.
-

At the End of a Programme

At the end of the programme, the dishwasher will sound.

Switching off the Dishwasher

For energy saving, please remember to switch the dishwasher off using the **On/Off** button. The dishwasher will continue to use electricity until it is switched off with the **On/Off** button.



-
- If the dishwasher is not going to be used for a long period of time, e.g. on holiday, please disconnect the dishwasher from the mains supply.
-

Unloading the Dishwasher

Allowing dishes to cool down before unloading is important because dishes tend to break and chip more easily when they are hot. Therefore, if you open the dishwasher door fully after switching off this will allow the dishes to cool down much faster.

Delay Start

The starting time of a washing programme can be delayed and adjusted. Please follow the steps below.

1. Open the dishwasher door and load your soiled dishes and crockery.
2. Press the **On/Off** button to turn on the dishwasher.
3. Select your preferred programme.
4. Press the **Delay** button.
5. Set the required delay start time using the **Delay** button.



-
- Each press of this button increases the delay start time by 1 hour increments.
-

6. Close the door. Press the **Start/Reset** button and the unit will start the programme at the assigned time automatically.

Cleaning After Use

External Care

The Door and the Door Seal

Clean the door seals regularly with a soft damp cloth to remove food deposits.

When the dishwasher is being loaded, food and drink residues may drip onto the sides of the dishwasher door. These surfaces are outside the wash cabinet and are not accessed by water from the spray arms. Any deposits should be wiped off these surfaces before the door is closed.

The Control Panel

If cleaning is required, the control panel should be wiped with a soft damp cloth **ONLY**.



-
- **ATTENTION:** To avoid penetration of water into the door lock and electrical components, do not use a spray cleaner of any kind.
 - Never use abrasive cleaners or scouring pads on the outer surfaces because they may scratch the finish. Some paper towels may also scratch or leave marks on the surface.
-

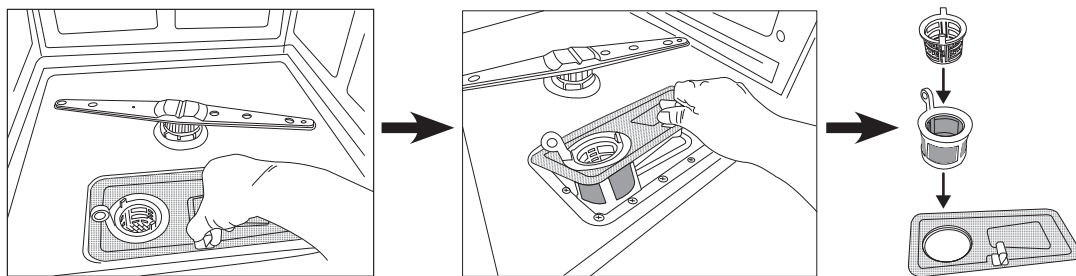
Internal Care

Filtering System

The filtering system in the base of the wash cabinet retains coarse soil from the suds solution. Collection of coarse soil may cause the filters to clog. Check the condition of the filters regularly and clean them if necessary under running water.

Please follow the steps below to clean the filters in the wash cabinet.

1. Ensure the dishwasher is switched off.
2. Gently lift the main filter with care. You will notice both the coarse and fine filter will lift out as well.
3. Rinse all the filters under running water, including the filter cylinder, and then refit all filters in the reverse order.
4. Gently refit the main filter back with care.
5. Gently rescrew the coarse and fine filter in clockwise direction.



- Do not over tighten the filters.
- Put the filters back in sequence securely. Otherwise coarse soil could get into the system and cause a blockage.
- **WARNING:** NEVER use the dishwasher without filters in place. Improper replacement of the filter may reduce the performance level of the appliance and damage dishes and utensils.

Spray Arms

Particles of food can get stuck in the spray arm jets and bearings. The spray arms should therefore be checked and cleaned regularly.

1. Ensure the dishwasher is switched off.
2. Use a pointed object, for instance a cocktail stick, to loosen food particles in the spray arms' jets.



- Do not attempt to remove the spray arms.

Maintenance After Prolonged Period of Non-Operation

If you are not going to use the unit for any prolonged period of time, you are advised to:

1. Disconnect the dishwasher from the mains.
2. Disconnect the dishwasher from the water inlet and drain. Use a suitable receptacle to catch the water.
3. Slightly open the door to prevent unpleasant smells building up in the compartment.
4. Ensure the washing compartment of the dishwasher is clean.

Should you encounter difficulties to do the above steps, please ask a service technician for assistance.

Moving the Dishwasher

If you have to move the unit, for instance due to moving house, please do the following:

1. Disconnect the dishwasher from the mains.
2. Disconnect the dishwasher from the water inlet and drain.
3. Remove the dishwasher from the current location with the hoses discharged.
4. Pull the dishwasher out together with the hoses.



-
- Avoid over tilting the unit during transportation.
-

Helpful Tips and Guide



- Repairs should only be carried out by a qualified technician in strict accordance with current local and national safety regulations. Unauthorised or incorrect repairs could cause personal injury or damage to the unit.
- Before calling for service, please refer to Helpful Tips and Guide to solve some general problems by yourself.

Fault Code

Codes	Possible Causes	Remedy
E1	Water tap is not turned on.	Turn on the water tap.
	Low water pressure (<0.04MPa)	Turn on the water tap and ensure it is in full position.
	Flow meter is broken.	
	The wire terminals which connect the flow meter are loose.	<ul style="list-style-type: none"> • Disconnect from the mains. • Disconnect the water inlet. • Call a qualified technician.
E2	Drain hose is kinked or squashed	<ul style="list-style-type: none"> • Use the U-shaped drain hose holder to secure your drain hose and to avoid bending it.
	Drain bump is broken or PCB is faulty.	
	The float switch is broken.	
	The wire terminal connected to the drain bump is loose or broken.	
E3	The temperature sensor is broken.	<ul style="list-style-type: none"> • Disconnect from the mains. • Disconnect the water inlet. • Call a qualified technician.
	Heater element is broken.	
	The wire terminal connected to the heater is loose.	
	The wire terminal connected to the temperature sensor is broken.	
	The wire terminal connected to the temperature sensor is short circuited or open circuited.	
E4	The tank is leaking.	
	The hose is leaking.	
	The float switch is broken or PCB is faulty.	

Technical Problems

Technical Problems		
Problem	Possible Causes	Remedy
The dishwasher does not start.	The door is not properly closed.	Close the door firmly.
	The unit is not connected to the mains.	Insert the plug to the mains.
	The unit is not switched on.	Press the On/Off button and select a programme.
The drain pump is not working properly.	The anti-flooding system has operated.	<ul style="list-style-type: none"> • Disconnect from the mains. • Disconnect the water inlet. • Call a qualified technician.
General Problems		
Problem	Possible Causes	Remedy
Detergent residue is left at the end of the programme.	The detergent slot was still damp when detergent was added.	Make sure the slot is dry before adding detergent.
Knocking noise in the wash cabinet.	A spray arms is knocking against an item in a basket.	<ul style="list-style-type: none"> • Interrupt the programme, and rearrange the items which are obstructing the spray arm. See the section "Loading the dishwasher".
Smearing appears on glassware and cutlery.	The rinse aid dosage is set too high.	<ul style="list-style-type: none"> • Adjust the dial of the rinse aid dispenser to a lower setting.
Dishes, cutlery and glasses are not dry.	The amount of rinse aid may be insufficient, or the rinse aid reservoir is almost empty.	Replenish the reservoir, adjust the rinse aid dispenser dial to a higher setting or change the brand of rinse aid.
	Crockery was taken out of the dishwasher too soon.	Leave the crockery in the dishwasher until you hear the audible sound.
White residue is visible on cutlery and crockery, clouding occurs on glassware; film can be wiped off.	Not enough rinse aid was used.	Replenish the reservoir, adjust the rinse aid dispenser dial to a higher setting or change the brand of rinse aid.
	There is not enough salt in the salt reservoir.	Fill the salt reservoir.
	The salt reservoir cap has not been screwed on correctly.	Ensure that it screws back on correctly.
	Unsuitable detergent has been used.	Change your detergent. Use a dishwasher standard powder detergent or tablet.

General Problems (Continue)		
Problem	Possible Causes	Remedy
Glassware is dull and discoloured; film cannot be wiped off.	The glassware is not dishwasher proof. The surfaces are affected.	Wash the non-dishwasher proof glassware by hand instead.
Tea or lipstick stains have not been completely removed.	The wash temperature of the selected programme was too low.	Select a programme with a higher wash temperature.
	The bleaching effect of the detergent used is too low.	Change your detergent.
	Forgot to pre-rinse or remove the stains with napkin prior washing.	Pre-rinse or remove the stains with napkin prior washing.

Specification

Model	CDWTT10
Rated Voltage	230 V
Rated Frequency	50 Hz
Overall Dimension (W x D X H)	575(W) x 480(D) x 466(H) (in mm)
Water Pressure Required	0.04 - 1.00MPa
Capacity	4 Place Settings
Power Consumption	1280W

Features and Specification are subject to change without prior notice.

Safety Warnings

For your continued safety and to reduce the risk of injury or electric shock, please follow all the safety precautions listed below.

- Read all instructions carefully before using the dishwasher and keep them for future reference.
- Retain the manual. If you pass the dishwasher onto a third party, make sure to include this manual.
- Keep ventilation openings in the dishwasher enclosure clear of obstructions.
- Choose a location for your dishwasher away from heat sources such as radiators or fires.
- Young children should be supervised to ensure that they do not play with the dishwasher.
- Keep mains cable out of reach from children.
- This dishwasher is not intended for use by persons (including children) with reduced sensory or mental capabilities, or lack of experience and knowledge unless they have been given supervision or instructions concerning the use of the dishwasher by a person responsible for their safety.
- Keep children away from detergents and rinse aids. These may cause chemical burns in the mouth, throat and eyes or asphyxiation.
- Keep children away from the dishwasher when the door is open.
- Switch off and unplug before fitting or removing tools/attachments, after use and before cleaning.
- Keep your fingers away from moving parts and fitted attachments.
- Never use a damaged machine.
- If the mains cable is damaged, it must be replaced by the manufacturer, its service agent or a qualified technician in order to avoid a hazard.
- Keep the power unit, mains cable or plug away from water.
- Never exceed the maximum capacities.
- 2 people are required to lift this dishwasher.
- Only use the dishwasher for its intended domestic use.

WARNING



IT IS HAZARDOUS FOR ANYONE OTHER THAN AUTHORISED SERVICE PERSONNEL TO CARRY OUT SERVICING OF REPAIRS WHICH INVOLVE THE REMOVAL OF COVERS.



TO AVOID THE RISK OF AN ELECTRICAL SHOCK DO NOT ATTEMPT REPAIRS YOURSELF.

- Do not sit or stand on the door or dish rack.
- Do not move your dishwasher by holding the door or its edges. Hold the dishwasher around its sides or base when moving it.
- Do not touch the heating element during or immediately after use.
- Do not operate your dishwasher unless all enclosure panels are properly in place. Open the door very carefully when there is a programme running as there is a risk of hot water spraying out of the appliance.
- Do not place any heavy objects on the open door. The appliance could tip.

- When loading items to be washed:
 1. Locate sharp items so that they will not damage the door seal;
 2. Warning: Knives and other utensils with sharp points must be loaded in the basket with the points downwards or placed horizontally.
- Do not allow plastic items to come into contact with heating element.
- Check that the detergent receptacle is empty after completion of the wash cycle.
- Do not wash plastic items unless they are marked dishwasher safe or equivalent.
- Use only detergent and rinse aids designed for an automatic dishwasher.
- Other means for disconnection from the supply must be incorporated in the fixed wiring with at least 3mm contact separation in all poles.
- The door should not be left in the open position since this could present a tripping hazard.
- For energy saving, always remember to switch the dishwasher off when you have finished using it. The dishwasher should not be left unattended when in use.
- Remove the door to the washing compartment when removing an old dishwasher from service or discarding it.
- During installation, the power supply cord must not be excessively or dangerously bent or flattened.
- Do not tamper with controls.
- The appliance is to be connected to the water mains using new hose sets.
- The maximum number of place settings to be washed is 4.
- The maximum permissible inlet water pressure is 1Mpa, and the minimum permissible inlet water pressure is 0.04Mpa.



Earthing Instructions

WARNING: THIS APPLIANCE MUST BE EARTHED.

- This appliance is equipped with a mains cable having an equipment-earthing conductor and an earthing plug.
- The plug must be plugged into an appropriate outlet that is installed and earthed in accordance with local standards and requirements.



WARNING:

- Improper connection of the equipment-earthing conductor could result in a risk of electric shock.
 - The wires in the cord are coloured as follows:
 - Green and Yellow = Earth,
 - Blue = Neutral,
 - Brown = Live.
 - Check with a qualified electrician or service representative if you are in doubt whether the appliance is properly earthed or the plug does not fit correctly.
 - Never modify the plug provided with the appliance.
-

Disposal of Dishwasher

- When disposing your old dishwasher, first make it unusable. Disconnect, cut off the cable and the plug from the cable. Make the door lock inoperative, so that children cannot accidentally shut themselves in. Make appropriate arrangements for the disposal of the dishwasher.
- At the end of its working life, the product must not be disposed of as urban waste. It must be taken to a special local authority differentiated waste collection centre or to a dealer providing this service. Disposing of a household appliance separately avoids possible negative consequences for the environment and health deriving from an inappropriate disposal and enables the constituent materials to be recovered to obtain significant savings in energy and resources. As a reminder of the need to dispose of household appliances separately, the product is marked with a crossed-out wheeled dustbin.
- Please ensure that it presents no danger to children while being stored for disposal.

Disposal of Packing Material

- Please dispose of the plastic wrappings and bags safely and keep out of the reach of babies and young children.

If you require a replacement for any of the items listed below, please quote their corresponding part numbers:

Replacement Part	Part Number
Cutlery Basket	673006200010
Water Supply Hose	673005400045
Drain Hose	673005400041
Detergent Measuring Spoon (approx. 20g)	673002200079
Coarse Filter	673006400065
Fine Filter	672005300010
Measuring cup (approx. 60ml)	673006200004
U-shape Hose holder	673006200003
Detergent Tablet Basket	673002200046
Instruction Manual	675005900973
Installation Guide	675005900974



Visit Partmaster.co.uk today for the easiest way to buy electrical spares and accessories. With over 1 million spares and accessories available we can deliver direct to your door the very next day. Visit www.partmaster.co.uk or call 0870 6001 338 (UK customers only) Calls charged at National Rate.



This symbol on the product or in the instructions means that your electrical and electronic equipment should be disposed at the end of its life separately from your household waste. There are separate collection systems for recycling in the EU.

For more information, please contact the local authority or your retailer where you purchased the product.

DSG Retail Ltd. • Maylands Avenue • Hemel Hempstead
Herts • HP2 7TG • England

(P.N.675005900973)