

# ESSENTIALS

## Dishwasher

Installation / Instruction Manual

CID45B16/A





# Contents

---

<b>Safety Warnings</b> .....	<b>5</b>
<b>Unpacking</b> .....	<b>7</b>
<b>Installation</b> .....	<b>8</b>
Location .....	8
<b>Product Overview</b> .....	<b>15</b>
Front View .....	15
Rear View .....	15
Internal View.....	15
Control Panel.....	16
<b>Before Operating</b> .....	<b>17</b>
To Open the Door .....	17
To Close the Door .....	17
Items Not Suitable for Use in the Dishwasher.....	17
<b>Adding Detergent Powder or Tablet</b> .....	<b>18</b>
<b>Adding Rinse Aid</b> .....	<b>19</b>
Adjusting the Rinse Aid Reservoir .....	19
<b>Adding Salt</b> .....	<b>20</b>
Adjusting Salt Consumption .....	21
<b>Loading the Dishwasher</b> .....	<b>22</b>
Before Loading the Dishwasher .....	22
Upper Basket.....	23
- Adjusting the Upper Basket .....	23
- Loading the Upper Basket .....	23
- Hinged Cup Rack.....	24
Lower Basket .....	24
- Hinged Spikes .....	24
- Loading the Lower Basket.....	25
Cutlery Basket.....	25
<b>Operation</b> .....	<b>26</b>
Starting a Wash Cycle.....	26
Changing a Programme.....	26
At the End of a Programme .....	26
Switching Off the Unit .....	27
Unloading the Dishwasher .....	27
Delay Start.....	27
Half Load.....	27
<b>Wash Cycle Table</b> .....	<b>28</b>

<b>Cleaning After Use</b> .....	<b>29</b>
External Care .....	29
- The Door and the Door Seal.....	29
- The Control Panel.....	29
Internal Care .....	29
- Filtering System .....	29
- Spray Arms .....	30
<b>Frost Precaution</b> .....	<b>30</b>
<b>Moving the Dishwasher</b> .....	<b>30</b>
<b>Maintenance After a Prolonged Period of Non-Operation</b> .....	<b>31</b>
<b>Hints and Tips</b> .....	<b>31</b>
Helpful Tips .....	31
- Technical Problems.....	31
- General Problems.....	31
Fault Code .....	33
<b>Disposal of the Dishwasher</b> .....	<b>33</b>
<b>Disposal of Packing Material</b> .....	<b>33</b>
<b>Specifications</b> .....	<b>34</b>
<b>Product Fiche</b> .....	<b>35</b>

# Safety Warnings

---

For your continued safety and to reduce the risk of injury or electric shock, please follow all the safety precautions listed below.

- Read all instructions carefully before using the dishwasher and keep them for future reference.
- Retain the manual. If you pass the dishwasher onto a third party, make sure to include this manual.
- Keep ventilation openings in the dishwasher enclosure clear of obstructions.
- Choose a location for your dishwasher away from heat sources such as radiators or fires.
- Young children should be supervised to ensure that they do not play with the dishwasher.
- Keep mains cable out of reach of children.
- This appliance can be used by children aged from 8 years and above and persons with reduced physical, sensory or mental capabilities or lack of experience and knowledge if they have been given supervision or instruction concerning use of the appliance in a safe way and understand the hazards involved. Children shall not play with the appliance. Cleaning and user maintenance shall not be made by children without supervision.
- Keep the appliance and its cord out of reach of children less than 8 years old.
- Keep children away from detergents and rinse aids. These may cause chemical burns in the mouth, throat and eyes or asphyxiation.
- Keep children away from the dishwasher when the door is open.
- Switch off water and power and unplug before fitting or removing tools/attachments, after use and before cleaning.
- Keep your fingers away from moving parts and fitted attachments.
- Never use a damaged machine.
- If the mains cable is damaged, it must be replaced by the manufacturer, its service agent or a qualified technician in order to avoid a hazard.
- Keep the power unit, mains cable and plug away from water.
- Never exceed the maximum capacities.
- 2 people are required to lift this dishwasher.
- Only use the dishwasher for its intended domestic use.
- This appliance is intended for indoor household use and similar applications such as:
  - farm houses and by clients in hotels, motels and other residential type environment;
  - bed and breakfast type environment;
  - catering and similar non-retail applications.

## WARNING



IT IS HAZARDOUS FOR ANYONE OTHER THAN AUTHORISED SERVICE PERSONNEL TO CARRY OUT SERVICING OF REPAIRS WHICH INVOLVE THE REMOVAL OF COVERS.



TO AVOID THE RISK OF AN ELECTRICAL SHOCK DO NOT ATTEMPT REPAIRS YOURSELF.

- Do not sit or stand on the door or dish rack.
- Do not move your dishwasher by holding the door or its edges. Hold the dishwasher around its sides or base when moving it.
- Do not touch the heating element during or immediately after use.

- Do not operate your dishwasher unless all enclosure panels are properly in place. Open the door very carefully when there is a programme running, as there is a risk of hot water spraying out of the appliance.
- Do not place any heavy objects on the open door. The appliance could tip.
- When loading items to be washed:
  1. Locate sharp items so that they will not damage the door seal;
  2. Warning: Knives and other utensils with sharp points must be loaded in the basket with the points downwards or placed horizontally.
- Do not allow plastic items to come into contact with heating element.
- Check that the detergent receptacle is empty after completion of the wash cycle.
- Do not wash plastic items unless they are marked dishwasher safe or equivalent.
- Use only detergent and rinse aids designed for an automatic dishwasher.
- Other means for disconnection from the supply must be incorporated in the fixed wiring with at least 3mm contact separation in all poles.
- The door should not be left in the open position since this could present a tripping hazard.
- For energy saving, always remember to switch the dishwasher off when you have finished using it. The dishwasher should not be left unattended when in use.
- Remove the door of the washing compartment when removing an old dishwasher from service or discarding it.
- During installation, the power supply cord must not be excessively or dangerously bent or flattened.
- Do not tamper with controls.
- The appliance is to be connected to the water mains using new hose sets.
- The maximum number of place settings to be washed is 9.
- The maximum permissible inlet water pressure is 1 MPa, and the minimum permissible inlet water pressure is 0.04 MPa.
- Never place heavy or wet items directly on top of the appliance.



### earthing instructions

#### **WARNING: THIS APPLIANCE MUST BE EARTHED.**

- This appliance is equipped with a mains cable having an equipment-earthing conductor and an earthing plug.
- The plug must be plugged into an appropriate mains socket that is installed and earthed in accordance with local standards and requirements.



Improper connection of the equipment-earthing conductor could result in a risk of electric shock.

- The wires in the cord are coloured as follows:
  - Green and Yellow = Earth,
  - Blue = Neutral,
  - Brown = Live.
- Check with a qualified electrician or service representative if you are in doubt whether the appliance is properly earthed or the plug does not fit correctly.
- Never modify the plug provided with the appliance.

**Thank you** for purchasing your new product.

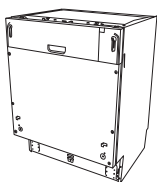
We recommend that you spend some time reading this instruction manual in order that you fully understand all the operational features it offers. You will also find some hints and tips to help you resolve any issues.

Read all the safety instructions carefully before use and keep this instruction manual for future reference.

## Unpacking

Remove all items from the packaging. Retain the packaging. If you dispose of it please do so according to local regulations.

The following items are included:



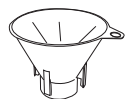
The Main Unit



Detergent Measuring Spoon X 1  
1 full spoon = 20g (approx.)



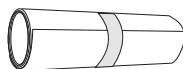
Measuring Cup X 1  
60ml (approx.)



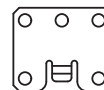
Salt Funnel X 1



Water Supply  
Hose X 1



Condensation Strip X 1



Lower Hook X 2



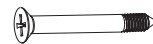
U-shape Hose  
Holder X 1



Hop Hook X 2



ST4x14 Screw x 14



ST3.5x45 Screw x 4



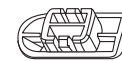
ST3.5x25 Screw x 2



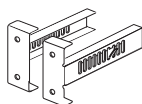
ST3.5x16 Screw x 2



Installation Hook x 2



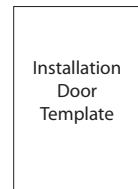
Hole Cover x 2



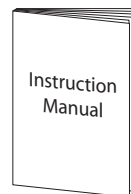
Toe Panel Mounting  
Bracket x 2



Cutlery Basket x 1



Door Template x 1



Instruction Manual x 1



If items are missing, or damaged please contact Partmaster (UK only).  
Tel: 0344 800 3456 for assistance.

## INSTALLATION

### Location

When selecting a position for your dishwasher you should make sure the installation surface is flat and firm, and the room is well ventilated. Avoid locating your dishwasher near a heat source, e.g. cooker, boiler or radiator. Extreme cold ambient temperatures may also cause the appliance not to perform properly. This dishwasher is not designed for use in a garage or outdoor installation.

Do not drape the dishwasher with any covering. When installing, ensure that free space is left at the sides.

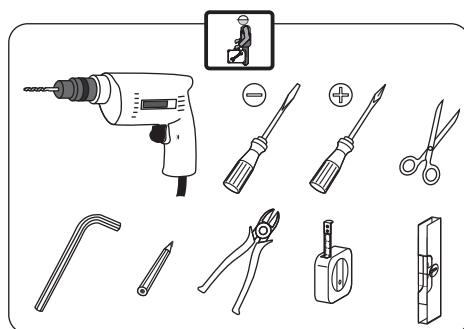


All parts removed must be saved to do the reinstallation in the future. Ensure the dishwasher is unplugged and empty. We recommend that 2 people handle the dishwasher during installation.

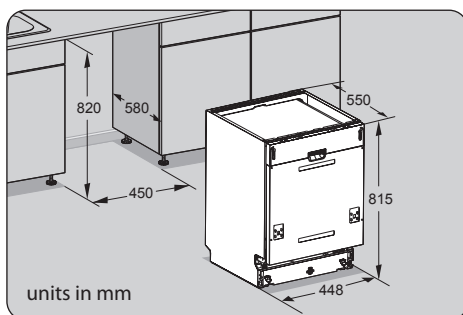
1. Please ensure the dishwasher is installed by a qualified technician. Refer to the tools required.



The supplied door template also contains installation steps which will assist installation.



2. Ensure there is clearance each side of the unit to allow slight sideways movement for servicing when required. The height of the unit is 815 mm. The figure outlines the minimum dimensions required to accommodate the dishwasher within fitted kitchen furniture units.

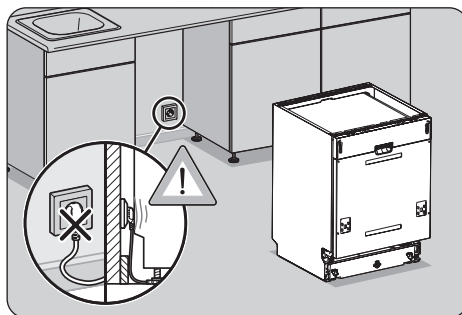


This product has been wet tested to ensure correct operation. As a result some water may remain inside the unit. This is normal and safe. Remove any water droplets from the exterior if necessary.



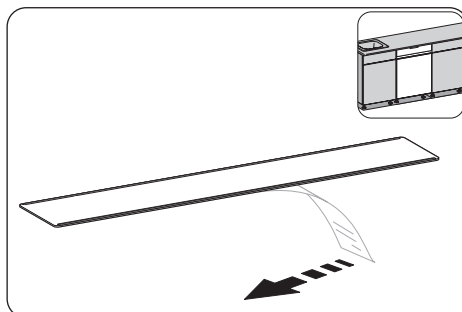
## INSTALLATION

3. Do not connect the unit to the mains socket before installation. Ensure you are not installing the unit right in front of the mains socket. This is to avoid potential damage to the back of the unit.



4. The condensation strip must be fitted to the underside of the worktop above your dishwasher to protect it against any moisture. Its purpose is to protect your worktop's underside from steam rising from the dishwasher.

Remove the backing paper from the condensation strip.



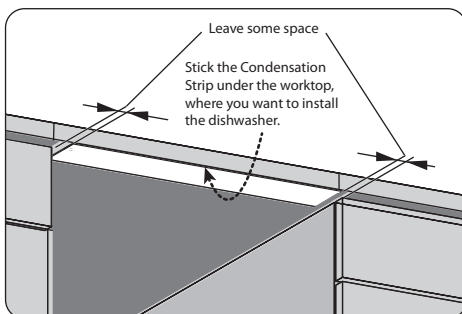
5. Stick the condensation strip to the underside of the worktop.



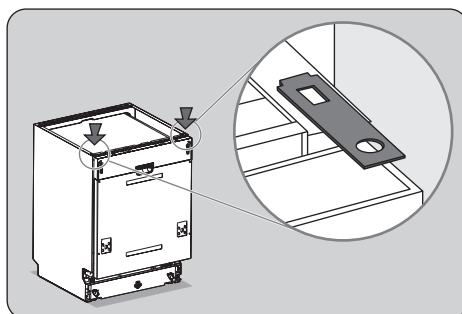
Ensure the surface is clean prior to sticking the condensation strip to the underside of the worktop.



Failure to attach the condensation strip could result in damage to the underside of your worktop!

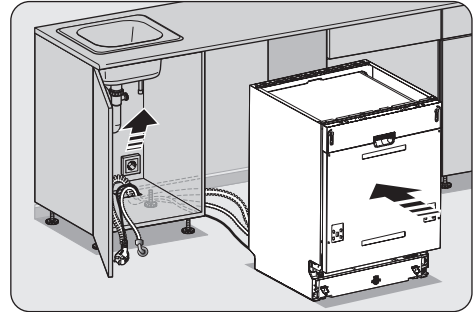
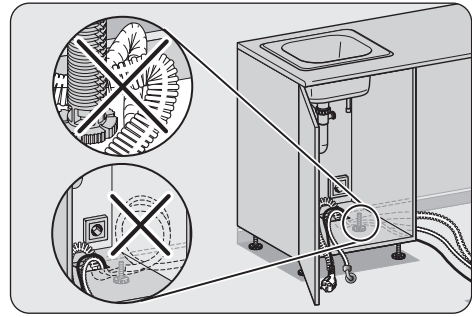


6. **For Wooden Worktop Only**  
Place the Installation Hook to secure the unit as shown.



## INSTALLATION

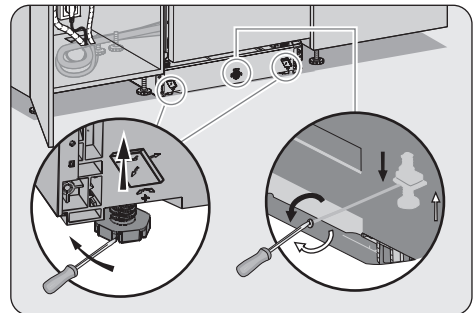
7. Position the dishwasher next to a water tap and a drain. Ensure the water inlet and drain hoses are not kinked or squashed. The unit must not stand on the mains cable.



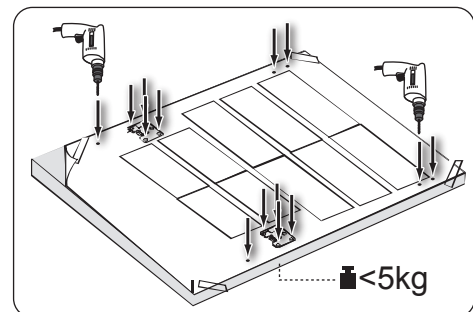
8. Good levelling is essential for correct closure and sealing of the door. When the unit is correctly levelled, the door should not catch the inner liner on either side of the cabinet. Adjust the levelling feet to obtain the optimum levelling of the unit.



Do not move the unit while the levelling feet are extended.

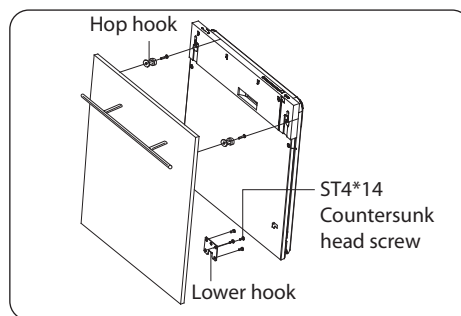


9. Tape the supplied Door Template to the dishwasher door. Ensure the aesthetic door weight is a minimum of 3kg and a maximum of 5kg. Make sure the top of the template is at the top of the door. Drill the required holes following the depth and diameter shown on the Door Template.

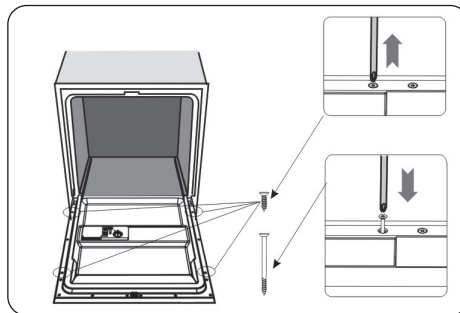


## INSTALLATION

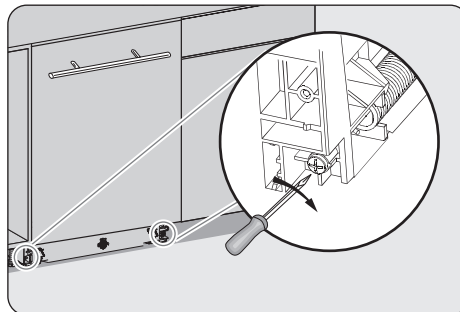
10. Install the Aesthetic Panel onto the dishwasher door. After the aesthetic panel is installed, the tension of the dishwasher door spring can be adjusted by rotating the adjusting bolt. If the tension is right, the door will remain horizontal in the fully open position.



11. Remove the screws on both sides of the dishwasher door and replace with ST3.5x45 screws. Ensure to tighten the screws and to secure the Aesthetic Panel.



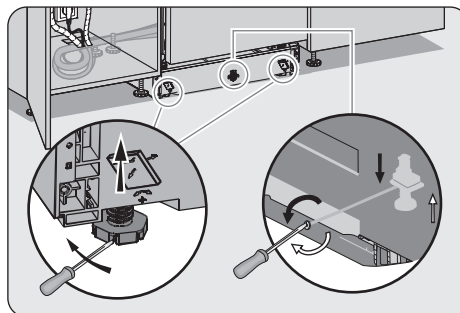
12. Adjust the bolt to loosen or tighten the tension of the dishwasher door.



13. Adjust the levelling feet again to obtain the optimum levelling of the unit.



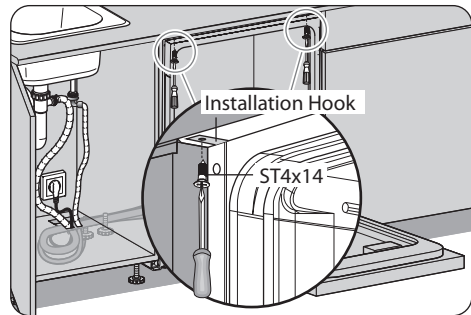
Do not move the unit while the levelling feet are extended.



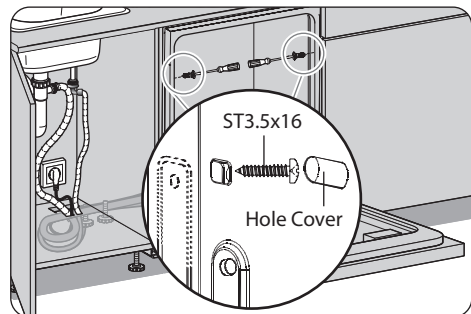
## INSTALLATION

14. To secure the dishwasher under the table top, tighten the screws as shown. Note their positioning for the different types of worktops.

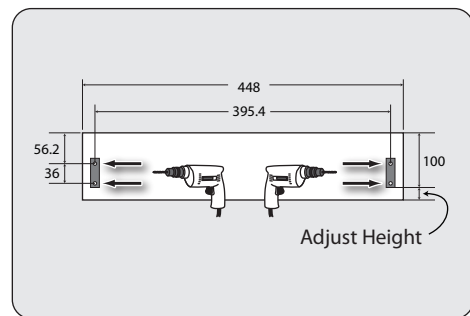
Wooden Worktop



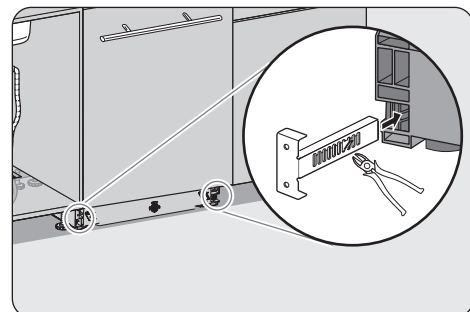
Synthetic / Ceramic Worktop



15. Cut out a 448 mm wide plinth for toe panel. Tape the supplied toe panel mounting brackets to the toe panel as shown. Drill the required holes.



16. Determine the correct position for the toe panel mounting bracket, remove the bracket and bend the metal tab. This ensures that the toe panel won't slide in further than you need.

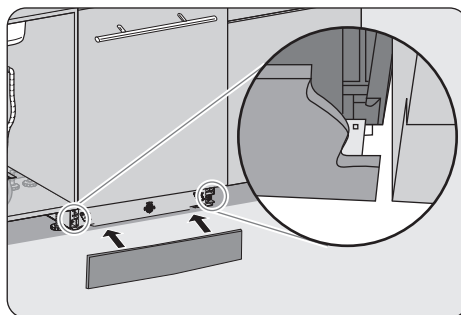


## INSTALLATION

17. Attach the toe panel mounting brackets to the toe panel. Align the screw holes, then use the 4 screws ST4x14 to secure the toe panel.

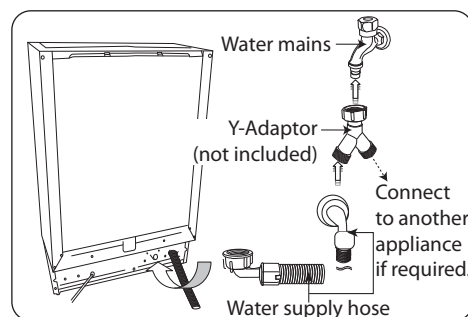


18. Insert the toe panel to the dishwasher.



19. Make sure your plumbing is suitable for use with the dishwasher. If in doubt contact a qualified plumber. This unit **MUST BE** connected to **COLD WATER MAINS** using the new water inlet hose. **OLD HOSE SETS MUST NOT BE RE-USED**. The water pressure from the water mains needs to be at a minimum of 0.04 MPa and a maximum of 1.00MPa.

- Connect one end of the safety water supply hose to your dishwasher, and then connect the other end of the hose to your water mains. Please ensure the black rubber seal is in place.
- After connecting the hose, turn on your water mains and check for leaks.
- Connect the dishwasher to the mains socket.



You may use a Y-Adaptor (not included) for an additional water feed for another appliance, for example a washing machine. This is only applicable for cold water mains. A Y-Adaptor is available from most DIY stores.

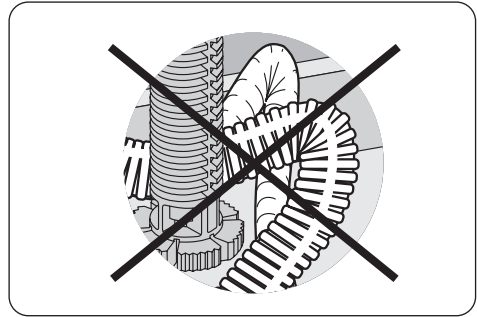


### **About the Safety Supply Hose**

The safety supply hose consists of the double walls. The hose's system guarantees its intervention by blocking the flow of water in case of the supply hose breaking and when the air space between the supply hose itself and the outer corrugated hose is full of water.

## INSTALLATION

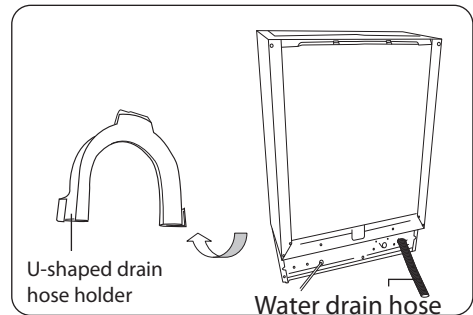
- Do not bend your drain hose.



- You may use the U-shaped drain hose holder to secure your drain hose and to avoid bending it.



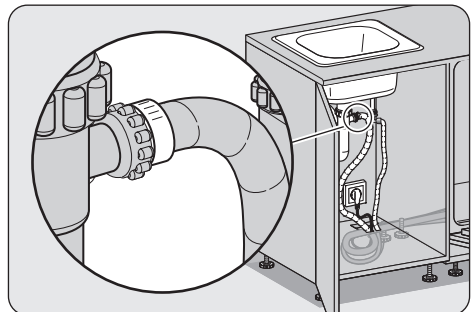
Before connecting to the waste pipe, make sure to check the waste pipe and remove any stopper or blockage inside, otherwise the unit may not be able to expel the waste water properly.



- Secure the water drain hose to the waste pipe to avoid it coming off during the washing process.

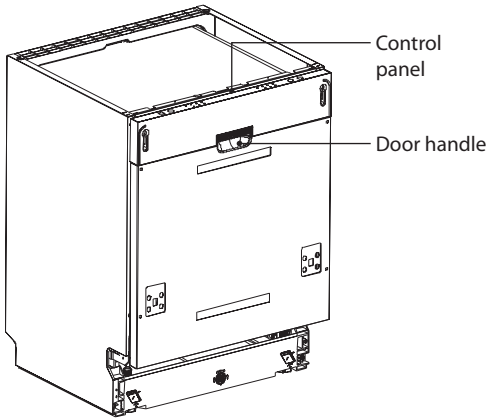


- The waste pipe must only be connected to the foul drains and not the surface water drainage system.
- The water drain hose should be placed between 40 cm and 100 cm from the floor level and must not be extended, otherwise the unit may not be able to expel the waste water properly.
- Please close the hydrant after using.

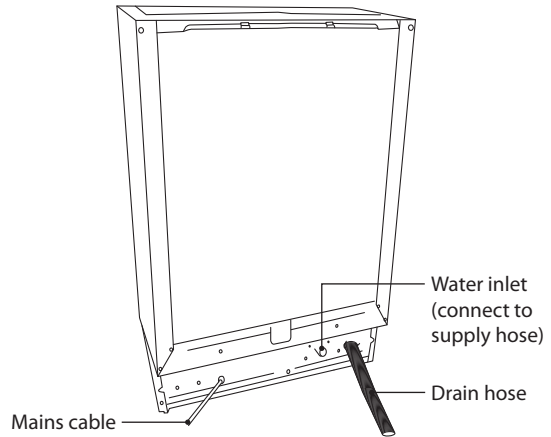


# Product Overview

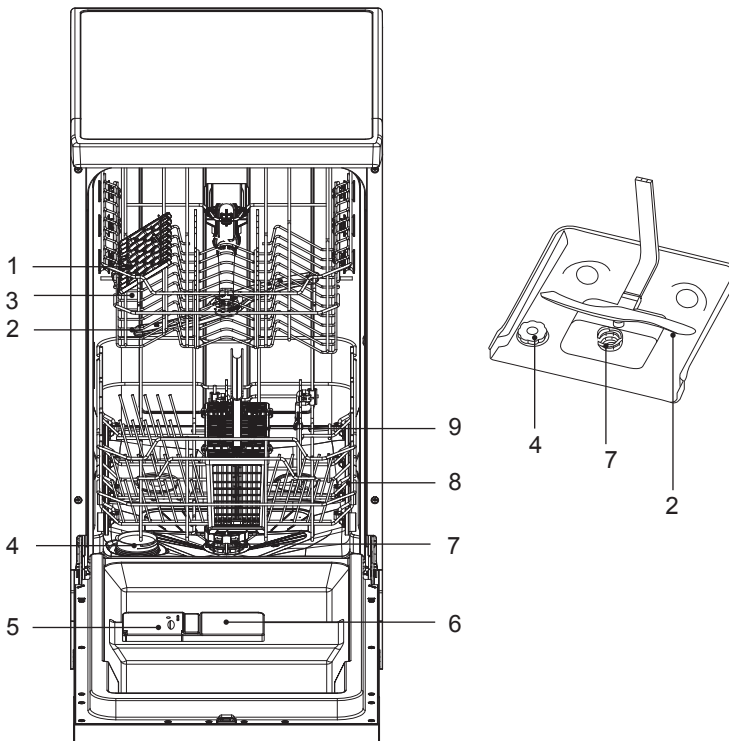
## Front View



## Rear View

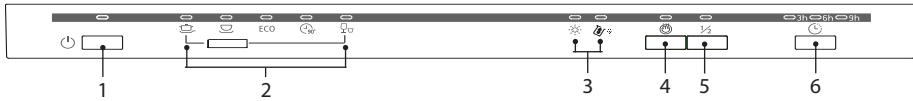


## Internal View



1. Cup Rack
2. Spray Arm (one under the upper and one under the lower basket)
3. Upper Basket
4. Salt Reservoir
5. Rinse Aid Reservoir
6. Detergent Dispenser
7. Filtering System
8. Lower Basket
9. Cutlery Basket

# Control Panel



## 1. ON/OFF button and indicator

To turn on/off the power supply.

## 2. Programme button and indicators

To select a wash programme.

## 3. Add salt indicator and Rinse aid indicator

Indicates when the dispenser need to be refilled.

## 4. Extra drying function button and indicator

To choose extra drying function. Extra drying function only applies to intensive, normal, ECO and 90 min programme.

## 5. Half load button and indicator

To choose half load washing of 6 place setting or less. Half load washing function only applies to intensive, normal, ECO and 90 min programme.

## 6. Delay button and indicators

To delay the wash starting time: 3 hours, 6 hours or 9 hours.



# Before Operating

## To Open the Door

- Pull the door handle.
- If the door is opened during operation, first open the door slightly to avoid water spillage.



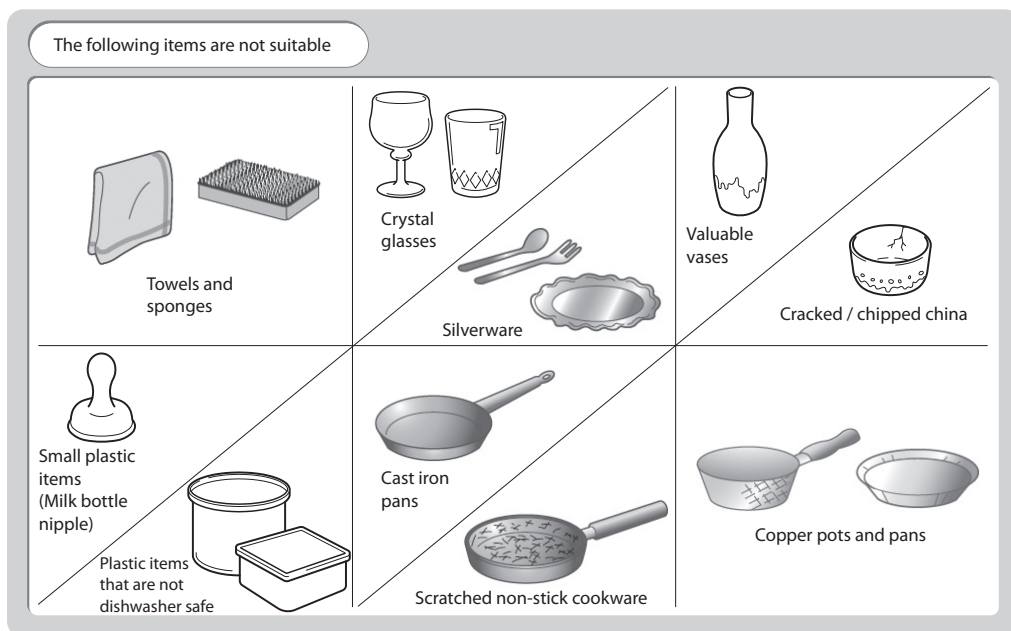
If the door is opened during operation, all functions are automatically interrupted.

## To Close the Door

- After loading the dishes, push the baskets fully into the dishwasher.
- Lift the door upwards and push until it clicks into position.
- Do not slam the dishwasher door.

## Items Not Suitable for Use in the Dishwasher

When purchasing new crockery and cutlery, please make sure they are dishwasher-proof. Some items are not suitable for dishwashers.



- Wooden cutlery and crockery or items with wooden parts may discolour and fade. The glue used in these items is not dishwasher-proof and wooden handles may come loose after being washed in a dishwasher.
- Craft items, antiques, valuable vases and decorative glassware are also not suitable for dishwashers.
- Plastic items (e.g. tupperware) which are not heat-resistant may melt or lose shape due to the high temperature in the dishwasher.
- Copper, brass, tin and aluminium items may discolour or become matt.
- Clouding may occur on glasses and delicate glassware after frequent washing. Do not wash delicate glassware, or glassware containing lead crystal in a dishwasher. Wash delicate glassware by hand instead.
- Silver and aluminium parts have a tendency to discolour during washing. Residues like egg white, egg yolk and mustard often cause discolouring and staining on silver. Therefore, please clean the residues from silver immediately after use.

# Adding Detergent Powder or Tablet

Only use detergents specifically designed for use in dishwashers. To be more environmentally friendly, please use no more than the correct amount of detergent. Fill the detergent dispenser with detergent powder or tablet. See the detergent manufacturers instructions for the correct amount to use. If using tablets read the manufacturers recommendations on the tablet packaging in order to determine where the tablet should be placed (e.g. cutlery basket, detergent compartment etc).



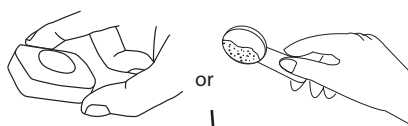
- Keep detergents and bleaches out of the reach of children.
- Irritating to eyes.
- Avoid contact with eyes. In case of contact with eyes, rinse immediately with plenty of water and seek medical advice.
- If swallowed, seek medical advice immediately.

Please follow the steps below to fill the detergent dispenser.

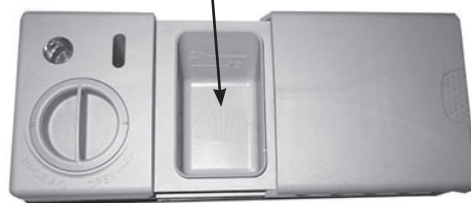
1. Push the button on the lid of the detergent dispenser to slide it open.



2. Fill the detergent dispenser with detergent powder or detergent tablet. The marking indicates the filling level.



All programmes with pre-wash need an additional detergent dosage. Just place them on the dispenser or put them inside the dishwasher. If using tablets please check the detergent manufacturers instructions. Please refer to the wash cycle table. This detergent will take effect during the pre-wash phase.



3. Close the lid firmly so that it clicks into place.

# Adding Rinse Aid

Rinse aid helps to ensure water does not cling and leave marks on crockery during the drying phase and helps crockery dry faster after it has been washed. Only pour rinse aid that is for domestic dishwashers into the reservoir. This model is designed to use liquid rinse aids only. Please follow the steps below to pour the rinse aid into the storage reservoir, and the amount will dispense automatically.

1. Turn the cap and open as indicated.



2. When the cap open marking is aligned, you may lift the cap up.
3. Pour the rinse aid in until the rinse aid indicator turns completely black in colour and close the cap.
4. Be careful not to overfill the reservoir. Wipe up any spills.

rinse aid indicator



- If the water hardness in your area is soft, you may not need rinse aid as it may cause white film to develop on your dishes.
- If you decide to use a detergent tablet, you do not need to add rinse aid into the rinse aid reservoir.
- Rinse aid warning indicator will illuminate when the reservoir is running out of rinse aid and requires refilling.
- Alternatively, you can judge the amount of rinse aid by checking the rinse aid indicator next to the reservoir cap. When the indicator is black, it means it is full. When it is clear, it means it is almost empty.

## Adjusting the Rinse Aid Reservoir

The rinse aid reservoir has six settings. Both the recommended setting and the factory setting is "3". If the dishes are not drying properly or are spotted, adjust the dial to the next higher number until your dishes are spot-free.



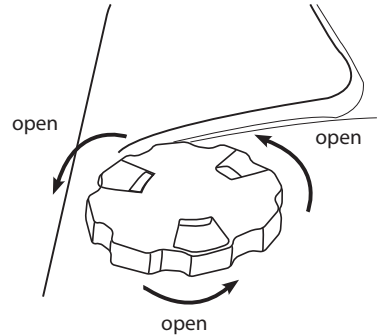
If there is some rinse aid residue left in the washing compartment or your dishes, turn the rinse aid dispenser dial to 1.

## Adding Salt

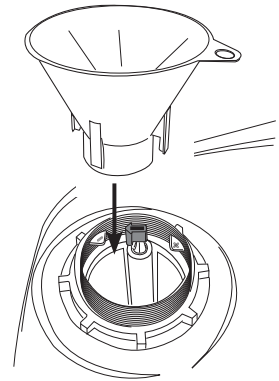
If the water in your area is hard, deposits will form on your dishes and utensils. This appliance contains a salt reservoir for you to reduce the hardness of the water.

Please follow the steps below to pour the salt into the salt reservoir and it must be set to correspond to the water hardness level in your area.

1. Remove the lower basket and unscrew the reservoir cap.



2. Fill the reservoir with approximately 500ml of water (first use only).



3. Place the funnel provided over the salt reservoir.
4. Pour in approximately 1.2kg of dishwasher salt depending on the brand used.
5. Clean any excess salt from around the reservoir opening and then screw the cap on again firmly.
6. Run the "Rapid" wash programme immediately (without any crockery in the dishwasher) to remove any traces of salt from the compartment.
  - The salt warning light will illuminate when the reservoir is running out of salt and requires re-filling.
  - The salt warning light will cease to illuminate within a few days depending on how quickly the salt dissolves.

## Adjusting Salt Consumption

Salt consumption must be adjusted to correspond to the water hardness level in your area. If you don't know how hard the water in your home is, please ask the company that supplies water in your area.

It is recommended that adjustments should be made in accordance with the following chart.

Water Hardness				Selector Position	Salt Consumption (Gram/Cycle)
German °dh	French °fh	British °Clarke	mmol/l		
0-5	0-9	0-6	0-0.94	H1	0
6-11	10-20	7-14	1.0-2.0	H2	9
12-17	21-30	15-21	2.1-3.0	H3	12
18-22	31-40	22-28	3.1-4.0	H4	20
23-34	41-60	29-42	4.1-6.0	H5	30
35-55	61-98	43-69	6.1-9.8	H6	60



1 °dh (German degree) = 0.178 mmol/l  
 1 °fh (French degree) = 0.1 mmol/l  
 1 °Clarke (British degree) = 0.143 mmol/l



- Do not use everyday table salt or cooking salt as they contain insoluble substances which could damage the dishwasher.
- Do not pour detergent into the salt container. This will damage the dishwasher.

To optimise your dishwasher for the local water hardness, please follow the steps below and refer to the above table.

1. Press the **ON/OFF** button to switch on the dishwasher.
2. Press and hold the **Programme** button for 5 seconds until the salt and rinse aid indicator blink alternately.
3. Press the **Programme** button repeatedly to adjust the water hardness level:
  - H1 (Rapid indicator illuminates)
  - H2 (90 Min indicator illuminates)
  - H3 (Rapid +90 Min indicators illuminate)
  - H4 (ECO indicator illuminates)
  - H5 (Rapid +ECO indicators illuminate)
  - H6 (90 Min +ECO indicators illuminate)
4. After adjusting the water hardness level, press the **ON/OFF** button to save the setting.

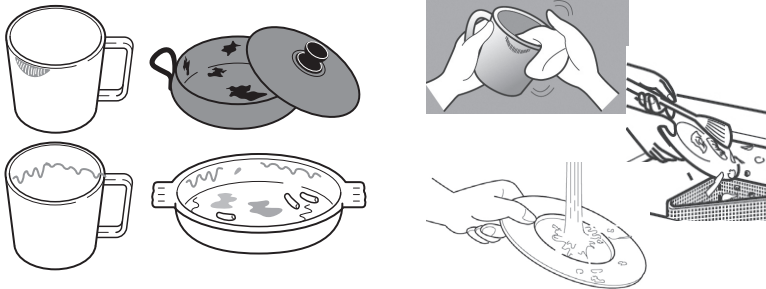
# Loading the Dishwasher

---

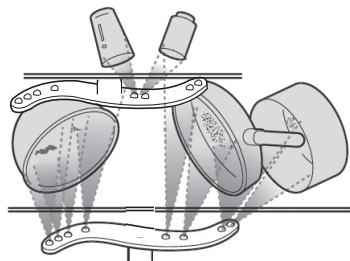
## Before Loading the Dishwasher

Please observe the following notes before loading your cutlery and crockery into the basket.

- Remove lipstick stains and any food residues from crockery and dishes. Rinse if necessary.



- Dishes and cutlery must not lay inside one another, or cover each other.
- Load your cutlery and crockery so that water can access all surfaces.



- Ensure all items are securely positioned.
- Hollow items such as cups, glasses, pans, etc. must be placed upside down in the basket.
- Wide based items should be placed at an angle so that water can run off them freely.
- The spray arms must not be blocked by items which are too tall or hang through the baskets. If in doubt, test for free movement by manually rotating the spray arms.
- Ensure that small items cannot fall through the holders in the baskets.



Do not wash items soiled with ash, sand, wax, lubricating grease or paint in the dishwasher. Ash does not dissolve and can distribute in the dishwasher. Wax, sand, lubricating grease and paint can cause damage to the dishwasher.

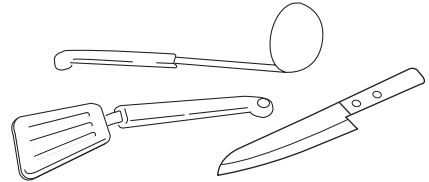


For safety reasons, do not operate the dishwasher without the upper and lower baskets in place.

## Upper Basket

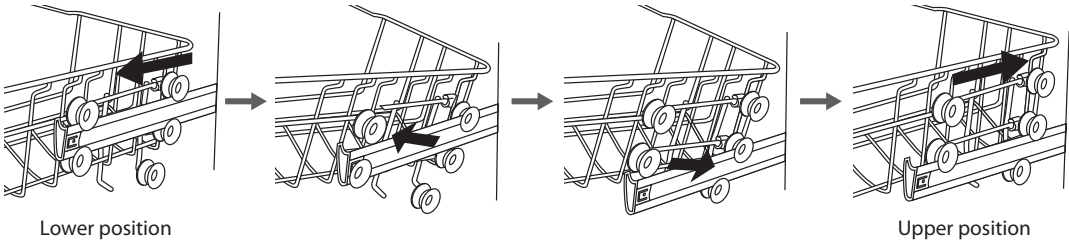
We recommend using the upper basket for small and lightweight items such as cups saucers, glasses, dessert bowls, etc. Shallow pans or casserole dishes can also be placed in the dishwasher basket.

Long items such as soup ladles, mixing spoons and long knives should be placed lying down across the front of the upper basket.



## Adjusting the Upper Basket

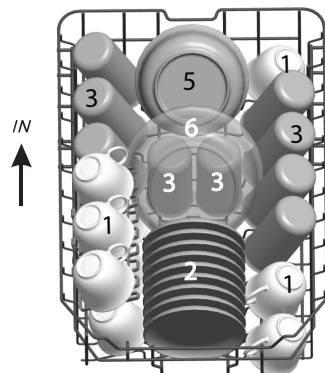
The height of the upper basket can be adjusted in order to create more space for large utensils both for the upper/lower basket. The height of the upper basket can be adjusted by placing the wheels on different height of the rails. Long items, serving cutlery, salad servers and knives should be placed on the shelf so that they do not obstruct the rotation of the spray arms.



## Loading the Upper Basket

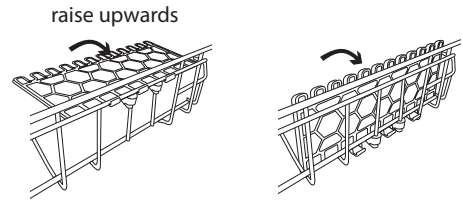
For loading the upper basket, please refer to the table below.

Number	Item
1	Cups
2	Saucers
3	Glasses
4	Small serving bowl
5	Medium serving bowl
6	Large serving bowl



## Hinged Cup Rack

To make room for taller items in the upper basket, raise the cup rack upwards. You can then lean the tall glasses against it. You can also remove it when it is not required for use.

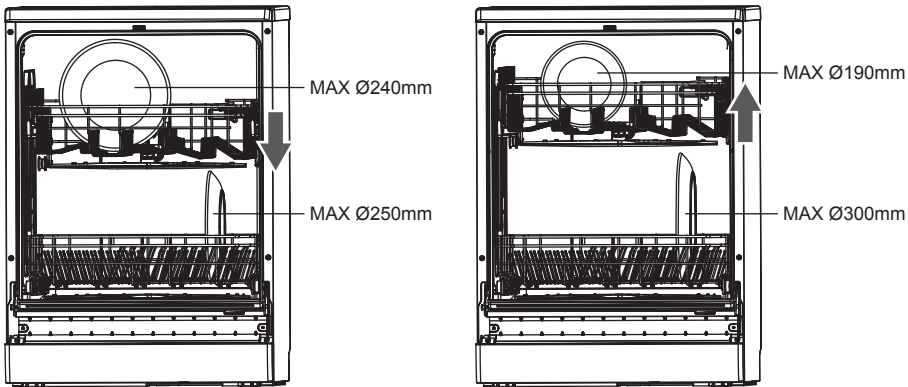


To prevent water dripping from the upper basket onto the dishes in the lower basket, we recommend that you empty the lower basket first and then the upper basket.

## Lower Basket

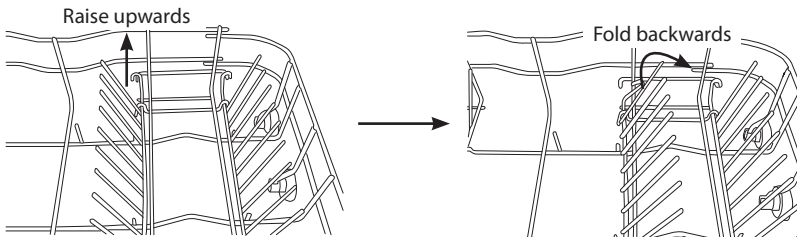
We recommend that large items and the most difficult to clean items are placed in the lower basket, such as plates, serving platters, saucepans, serving bowls, pots, pans, lids etc. We recommend placing serving dishes and lids at the side of the basket to avoid blocking the rotation of the spray arms.

If required, the upper basket should be adjusted to create more space for large plates on the upper or lower basket.



## Hinged Spikes

The spikes are used for holding plates and a platter. They can be lowered to make more room for large items. Please refer below for the steps to lower the spikes.







# Operation

---

## Starting a Wash Cycle

Please follow the steps below to start a wash cycle.

1. Ensure the unit is connected to the mains power and the water supply is on (water pressure between 0.04MPa and 1.00MPa).
2. Open the door. Pull out the lower and upper baskets, load the dishes and push the baskets back.
3. Pour in the detergent or place the detergent tablet in the detergent compartment and close firmly afterwards.
4. Press the **ON/OFF** button, the power indicator light will illuminate.
5. Select the wash cycle programme based on the loading and soil requirements. Please refer to the "Wash Cycle Table".
6. The indicator light of the selected programme will illuminate.
7. Close the dishwasher door. A click sound should be heard when the door is closed correctly. Do not slam the door.
8. The wash cycle will begin shortly. The programme indicator will blink normally per second during operation.



If you open the dishwasher door during the wash cycle and then close it, the dishwasher will continue the current wash programme after 10 seconds. However, if the door is not closed correctly after 1 minute, the dishwasher will make an audible sound at 1 minute intervals.

## Changing a Programme

To change the programme if the wash cycle has already started, follow the steps below.

1. Open the door slightly to check if the unit has dispensed the detergent or detergent tablet. This will depend on how long the wash cycle will run.
2. If the detergent dispenser lid is already opened, allow the wash cycle to complete.
3. If the detergent dispenser lid is still closed, press and hold the programme button for 3 seconds to cancel the programme. Then, press the required new programme button and close the dishwasher door. The unit will start the new wash cycle shortly.

## At the End of a Programme

At the end of a programme, the dishwasher will make an audible sound.



The condensation strip helps to prevent the risk of steam damage to the worktop edging above the dishwasher, it is advisable to leave the door closed until you are ready to unload the crockery. However, you can also open the dishwasher door fully and wait until the dishes and crockery are cool enough to unload. Do not leave the door partially open.

## Switching Off the Unit

To save energy, remember to switch the dishwasher off using the **ON/OFF** button. The dishwasher will continue to use electricity until it is switched off.



If the dishwasher is not going to be used for a long period of time, e.g. whilst on holiday, disconnect the unit from the mains supply.

## Unloading the Dishwasher

Allowing dishes to cool down before unloading is important as dishes tend to break and chip more easily when they are hot. Therefore, if you open the dishwasher door fully after switching off, it will allow the dishes to cool down much faster.



- Unload the lower basket first, followed by the cutlery basket and then the upper basket.
- This will prevent water drops from the upper basket from falling on to the dishes in the lower basket.

## Delay Start

The starting time of a wash programme can be delayed and adjusted. Please follow the steps below.

1. Open the dishwasher door and load your soiled dishes and crockery.
2. Press the **ON/OFF** button to turn on the dishwasher.
3. Select your preferred programme.
4. Press the delay button.
5. Set the required delay start time using the delay button.
6. Close the door and the unit will start the programme at the assigned time automatically.







Each press of this button increases the delay start time by 3 hour increments.

## Half Load

In case you do not have enough dishes for a full load, the half load option can be selected. This will save hot water and electricity usage. Please follow the steps below.

1. Open the dishwasher door and load your soiled dishes and crockery onto the basket.
2. Press the **ON/OFF** button to turn on the dishwasher.
3. Select your preferred programme.
4. Press the **1/2** button, the half load indicator will light up.
5. Close the door and the unit will start the programme.

# Wash Cycle Table

Programme	Cycle selection information	Process	Detergent	Running time (min.)	Energy consumption (kwh)	Water consumption (l)	Rinse aid
Intensive 	<ul style="list-style-type: none"> <li>For heaviest soiled crockery, and normally soiled pots, pans, dishes etc with dried on soiling.</li> </ul>	<ul style="list-style-type: none"> <li>Pre-wash (50°C)</li> <li>Wash (60°C)</li> <li>Rinse</li> <li>Rinse</li> <li>Rinse (70°C)</li> <li>Drying</li> </ul>	<ul style="list-style-type: none"> <li>Pre-wash (5g)</li> <li>Main Wash (22g)</li> </ul>	165	1.4	16.5	✓
Normal 	<ul style="list-style-type: none"> <li>For normally soiled loads, such as pots, plates, glasses and lightly soiled pans.</li> </ul>	<ul style="list-style-type: none"> <li>Pre-wash (45°C)</li> <li>Wash (55°C)</li> <li>Rinse</li> <li>Rinse (65°C)</li> <li>Drying</li> </ul>	<ul style="list-style-type: none"> <li>Pre-wash (5g)</li> <li>Main Wash (22g)</li> </ul>	175	1.1	13	✓
ECO* (EN50242)	<ul style="list-style-type: none"> <li>This is Standard programme, it is suitable to clean normally soiled tableware and it is the most efficient programme in terms of its combined energy and water consumption for that type of tableware.</li> </ul>	<ul style="list-style-type: none"> <li>Pre-wash</li> <li>Wash (45°C)</li> <li>Rinse (65°C)</li> <li>Drying</li> </ul>	<ul style="list-style-type: none"> <li>Pre-wash (5g)</li> <li>Main Wash (22g)</li> </ul>	190	0.69	9	✓
90-min 	<ul style="list-style-type: none"> <li>For lightly soiled crockery and glass.</li> </ul>	<ul style="list-style-type: none"> <li>Wash (65°C)</li> <li>Rinse</li> <li>Rinse (65°C)</li> <li>Drying</li> </ul>	<ul style="list-style-type: none"> <li>Main Wash (27g)</li> </ul>	90	1.15	11.5	✓
Rapid 	<ul style="list-style-type: none"> <li>A shorter wash for lightly soiled loads and quick wash.</li> </ul>	<ul style="list-style-type: none"> <li>Wash (45°C)</li> <li>Rinse (50°C)</li> <li>Rinse (55°C)</li> </ul>	<ul style="list-style-type: none"> <li>Main Wash (20g)</li> </ul>	30	0.7	10	✗

\* To comply with the Standards of Performance, i.e. EN50242, please ensure to use economy washing cycle for the test.



## Condensing dry technology

- Energy is saved by drying the dishes using the remaining heat after the last rinse cycle.
- Wash cycle times are extended due to this drying method.
- Some wash programmes do not have a drying function, please refer to the Wash Cycle Table for more details.

# Cleaning After Use

## External Care

### The door and the door seal

- Clean the door seals regularly with a soft damp cloth to remove food deposits.
- When the dishwasher is being loaded, food and drink residues may drip onto the sides of the dishwasher door. These surfaces are outside the wash cabinet and are not accessed by water from the spray arms. Any deposits should be wiped off before the door is closed.

### The control panel

If cleaning is required, the control panel should be wiped with a soft damp cloth **ONLY**.



- To avoid penetration of water into the door lock and electrical components, do not use a spray cleaner of any kind.
- Never use abrasive cleaners or scouring pads on the outer surfaces because they may scratch the finish. Some paper towels may also scratch or leave marks on the surface.

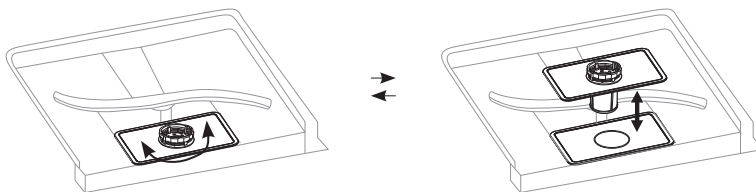
## Internal Care

### Filtering system

The filtering system in the base of the wash cabinet retains coarse debris from the wash cycle. The collected coarse debris may cause the filters to clog. Check the condition of the filters regularly and clean them if necessary under running water.

Follow the steps below to clean the filters in the wash cabinet.

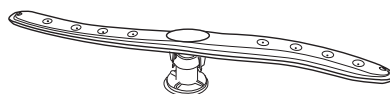
1. Ensure the dishwasher is switched off.
2. Turn the coarse filter anti-clockwise and gently lift it out.
3. Rinse all the filters under running water, including the filter cylinder, and then re-fit all filters in the reverse order.
4. Gently re-screw the coarse filter in clockwise direction. There will be a slight click when located correctly.



- Do not over tighten the filters. Put the filters back in the filter cylinder in sequence securely, otherwise the residue could get into the system and cause a blockage.
- NEVER use the dishwasher without the filters in place. Improper replacement of the filters may reduce the performance level of the appliance and damage dishes and utensils.
- Perform an intensive wash cycle periodically.

## Spray arms

Particles of food can get stuck in the spray arm jets and bearings. The spray arms should therefore be checked and cleaned regularly.



- Ensure the dishwasher is switched off. Use a pointed object, e.g. a cocktail stick, to loosen food particles in the spray arms' jets.



Do not attempt to remove the spray arms.

## Frost Precaution

---

Avoid placing the dishwasher in a location where the temperature is below 0°C. If your appliance is left in an unheated place over the winter, you are advised to:

1. Disconnect the unit from the water inlet.
2. Turn on the unit. Select any wash cycle and let it run for 1 minute only. This will allow all the excessive water that remains in the unit to drain out.
3. Disconnect from the mains socket.
4. Empty the dishwasher.
5. Close the dishwasher's door.
6. Disconnect the unit from the water drain. Use a suitable receptacle to catch the water.

Should you encounter any difficulties with the above steps, please ask a service technician for assistance.

## Moving the Dishwasher

---

If you have to move the unit, for instance due to moving house, you are advised to:

1. Disconnect the dishwasher from the mains socket.
2. Disconnect the unit from the water inlet and drain. Use a suitable receptacle to catch the water.
3. Remove the unit from the current location with the hoses discharged.
4. Pull the unit out together with the hoses.



- Avoid over tilting the unit during transportation.
- We recommend that 2 people handle the dishwasher during installation.

# Maintenance After a Prolonged Period of Non-operation

If you are not going to use the unit for a prolonged period of time, you are advised to:

1. Disconnect the dishwasher from the mains socket.
2. Disconnect the unit from the water inlet and drain. Use a suitable receptacle to catch the water.
3. Open the door slightly to prevent unpleasant smells from building up in the compartment.
4. Ensure the washing compartment of the dishwasher is clean.

## Hints and Tips



- Repairs should only be carried out by a qualified technician in strict accordance with current local and national safety regulations. Unauthorised or incorrect repairs could cause personal injury or damage to the unit.
- Before calling for service, please refer to **Helpful Tips** to solve some general problems by yourself.

## Helpful Tips

### Technical problems

Problem	Possible Causes	Remedy
The dishwasher does not start.	The door is not properly closed.	Close the door firmly.
	The unit is not connected to the mains socket.	Connect the mains plug to the mains socket.
	The unit is not switched on.	Press the ON/OFF button and select a programme.
The drain pump is not working properly.	The anti-flooding system has operated.	<ul style="list-style-type: none"><li>• Disconnect from the mains socket.</li><li>• Disconnect the water inlet.</li><li>• Call a qualified technician.</li></ul>

### General problems

Problem	Possible Causes	Remedy
Detergent residue is left in the dispenser at the end of the programme.	The detergent dispenser was still damp when detergent was added.	Make sure the dispenser is dry before adding detergent.
The detergent dispenser lid cannot be closed properly.	Clogged detergent residue is blocking the catch.	Clean the catch.

<b>Problem</b>	<b>Possible Causes</b>	<b>Remedy</b>
Knocking noise in the wash cabinet.	A spray arm is knocking against an item in a basket.	Interrupt the programme, and re-arrange the items which are obstructing the spray arm. See the section "Loading the Dishwasher".
Smearing appears on glassware and cutlery.	The rinse aid dosage is set too high.	Adjust the dial of the rinse aid dispenser to a lower setting.
Dishes, cutlery and glasses are not dry.	The amount of rinse aid may be insufficient, or the rinse aid reservoir is almost empty.	Replenish the reservoir, adjust the rinse aid dispenser dial to a higher setting or change the brand of rinse aid.
	Crockery was taken out of the dishwasher too soon.	Leave the crockery in the dishwasher until you hear an audible sound.
White residue is visible on cutlery and crockery, clouding occurs on glassware; film can be wiped off.	Not enough rinse aid was used.	Replenish the reservoir, adjust the rinse aid dispenser dial to a higher setting or change the brand of rinse aid.
	There is not enough salt in the salt reservoir.	Fill the salt reservoir.
	The salt reservoir cap has not been screwed on correctly.	Ensure that it is screwed back on correctly.
	Unsuitable detergent has been used.	Change your detergent. Use a dishwasher standard powder detergent.
	The salt consumption setting is too low.	Select a higher salt consumption setting.
Glassware is dull and discoloured; film cannot be wiped off.	The glassware is not dishwasher proof. The surfaces are affected.	Wash the non-dishwasher proof glassware by hand.
Tea or lipstick stains have not been completely removed.	The wash temperature of the selected programme was too low.	Select a programme with a higher wash temperature.
	The bleaching effect of the detergent used is too low.	Change your detergent.
	Forgot to pre-rinse or remove the stains with a napkin prior to washing.	Pre-rinse or remove the stains with a napkin prior to washing.



## Fault Code

Codes	Description & possible causes	Remedy
Rapid programme indicator blinking rapidly (blink 5 times faster than normal operation blinking).	Longer inlet time. <ul style="list-style-type: none"> <li>• Faucets are not open.</li> <li>• Water intake is restricted.</li> <li>• Water pressure is too low.</li> </ul>	<ul style="list-style-type: none"> <li>• Check and make sure the faucets are open and functioning properly.</li> <li>• If error still occurs, call a qualified technician.</li> </ul>
ECO programme indicator blinking rapidly (blink 5 times faster than normal operation blinking).	Overflow. <ul style="list-style-type: none"> <li>• Some elements of dishwasher leaks.</li> </ul>	<ul style="list-style-type: none"> <li>• Turn off the main water supply.</li> <li>• Call a qualified technician.</li> </ul> <p>Note: If there is water in the base pan because of an overfill or small leak, the water should be removed first before restarting the dishwasher.</p>
Rapid and 90-min programme indicators blinking rapidly (blink 5 times faster than normal operation blinking).	Not reaching required temperature. <ul style="list-style-type: none"> <li>• Malfunction of heating element.</li> </ul>	Call a qualified technician.

## Disposal of the Dishwasher

- When disposing your old dishwasher, first make it unusable. Disconnect the hoses and unplug the mains cable. Cut off the mains cable from the dishwasher. Make the door lock inoperative, so that children cannot accidentally shut themselves in. Make appropriate arrangements for the disposal of the dishwasher.
- At the end of its working life, the product must not be disposed of as urban waste. It must be taken to a special local authority differentiated waste collection centre or to a dealer providing this service. Disposing of a household appliance separately avoids possible negative consequences for the environment and health deriving from inappropriate disposal and enables the constituent materials to be recovered to obtain significant savings in energy and resources. As a reminder of the need to dispose of household appliances separately the product is marked with a crossed out wheeled dustbin.
- Please ensure that it presents no danger to children while being stored for disposal.

## Disposal of Packing Material

Please dispose of the plastic wrappings and bags safely and keep out of the reach of babies and young children.

# Specifications

---

<b>Rated Voltage and Frequency</b>	220-240 V~50Hz
<b>Rated Power Input</b>	1760-2100 W
<b>Inlet Water Pressure</b>	1.0 MPa (maximum) – 0.04 MPa (minimum)
<b>Degree of protection against ingress of water</b>	IPX1
<b>Dimension</b>	815mm(H) x 448mm(W) x 550mm(D) (door closed)

Features and specifications are subject to change without prior notice.

## Product Fiche

<b>Brand</b>	Currys Essentials
<b>Model</b>	CID45B16/A
<b>Rated Capacity</b>	9 Place Settings
<b>Energy Efficiency Class</b>	A++
<b>Annual Energy Consumption</b>	Energy consumption 197 kWh per year, based on 280 standard cleaning cycles using cold water fill and the consumption of the low power modes. Actual energy consumption will depend on how the appliance is used.
<b>Energy Consumption of the Standard Cleaning Cycle</b>	0.69 kWh
<b>Power Consumption (Off Mode)</b>	0.45 W
<b>Power Consumption (Left-on Mode)</b>	0.49 W
<b>Annual Water Consumption</b>	Water consumption 2520 litres per year, based on 280 standard cleaning cycles. Actual water consumption will depend on how the appliance is used.
<b>Drying Efficiency Class</b>	Drying efficiency class A on a scale from G (least efficient) to A (most efficient).
<b>Standard Cleaning Cycle</b>	"ECO" is the standard cleaning cycle to which the information in the energy label and the product fiche relates. This programme is suitable to clean normally soiled tableware, and this is the most efficient programme in terms of combined energy and water consumption.
<b>Program Time for the Standard Cleaning Cycle</b>	190 min
<b>Airborne Acoustical Noise Emissions</b>	49 dB(A) re 1 pW
<b>Built-in</b>	Yes

### Note:

The above values have been measured in accordance with standards under specified operating conditions. Results may vary greatly according to quantity and pollution of the dishes, water hardness, amount of detergent, etc.

**Currys.co.uk**

**All the support you need.**

Whether it's a tech emergency or  
you need plain good advice, we're  
always on hand to help.

UK: 0344 561 1234

IRE: 1890818 575

**Partmaster**  
\_\_\_\_\_.co.uk

Visit [Partmaster.co.uk](http://Partmaster.co.uk) today for the easiest way to buy electrical spares and accessories. With over 1 million spares and accessories available we can deliver direct to your door the very next day. Visit [www.partmaster.co.uk](http://www.partmaster.co.uk) or call **0344 800 3456** (UK customers only). Calls charged at National Rate.



The symbol on the product or its packaging indicates that this product must not be disposed of with your other household waste. Instead, it is your responsibility to dispose of your waste equipment by handing it over to a designated collection point for the recycling of waste electrical and electronic equipment. The separate collection and recycling of your waste equipment at the time of disposal will help conserve natural resources and ensure that it is recycled in a manner that protects human health and the environment.

For more information about where you can drop off your waste for recycling, please contact your local authority, or where you purchased your product.

DSG Retail Ltd. (co. no. 504877)  
1 Portal Way, London, W3 6RS, UK

**EU Representative**

DSG Retail Ireland Ltd (259460)  
3rd Floor Office Suite,  
Omni Park SC, Santry, Dublin 9, Republic of Ireland